

## Pre-Rinse Scrapbaskets

**SB1 (270MM X 415MM X 130MM)**

**SB2 (415MM X 415MM X 130MM)**

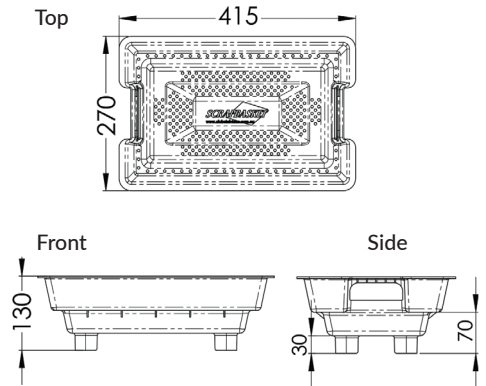
**SB-1:** SUITABLE FOR A VARIETY OF COMMERCIAL PRE WASH SINKS, TWO CAN BE POSITIONED SIDE BY SIDE TO SUIT A 600MM X 450MM SINK SPACE.

**SB- 2:** DESIGNED TO SUIT THE 450MM X 450MM DIMENSIONS OF A STANDARD COMMERCIAL SINK. DURABLE ABS PLASTIC

- Dishwasher friendly
- Easy lift handles
- Lightweight
- No sharp edges
- A unique Australian design
- Catch food waste and scraps before entering the drainage system



**SB-1**



**SB-2**

