



Catalogue :

**SERIE 900 KORE**

Chapter :

**BOILING PANS 900 KORE**

Article :

**M-G915 BM LPG 230V 1N 50Hz**

Code:

**19018340**

<u>DIMENSIONS AND WEIGHTS</u>		<u>Net dimensions</u>	<u>Packed</u>
Length	mm	<b>800,00</b>	<b>1.080,00</b>
Depth	mm	<b>930,00</b>	<b>840,00</b>
Height	mm	<b>850,00</b>	<b>1.265,00</b>
Weight	kg	<b>120,00</b>	<b>150,00</b>
Volume	m3	<b>0,69</b>	<b>1,15</b>

<u>ELECTRICITY</u>		<u>50Hz</u>	
Power			<b>0,10 kW</b>
Connections	230 V. 1+N+T	<b>2X2,5+T - 4A</b>	
	230 V. III+T	<b>3X10+T - 63 A</b>	
	400 V. III+N+T	<b>4X1,5 +T -10A</b>	

<u>GAS</u>			
Power			<b>24,00 kW</b>
Gas type	<b>LPG</b>		
Consumption			<b>1,84 kg/h</b>
Pressure	<b>LPG G30/G31 28-30/37 mbar</b>		

<u>WATER</u>			
Pressure	<b>Water Pres:200-400kPa(2-4bar)</b>		

<u>STEAM</u>			
	Not necessary		

<u>AIR</u>			
	Not necessary		

DESCRIPTION

GAS BOILING PAN INDIRECT HEAT, AUTOMATIC REFILL, M-G915 BM  
 Boiling pans are ideal to cook, simmer or stew different types of food in large quantities and volume.  
 Indirect heat boiling pans or bain marie pans are specially suitable to simmer, poach or braise products that do not require continuous stirring or a high cooking temperature.  
 2 mm stainless AISI-304 steel top with rounded edges for easy cleaning. Laser cut and automatic welding for a perfect adjustment of sides between modules with square angle finish.  
 The pan is integrated in the top by robotic welding. It is made of AISI-304 stainless steel and the bottom is made of stainless steel AISI-316L. Side walls with satin polished, for easy cleaning.  
 150 litre capacity model.  
 Indirect gas heating by means of bain marie jacket around the pan. Group of stainless steel pipe burners with optimized combustion and sequential ignition controlled by energy regulator.  
 "The water in the jacket is heated and the saturated steam produced at 107 °C evenly heats the bottom and side walls of the pan."  
 "The regulator allows different power levels to control the burners operation.  
 Electronic ignition of the burners group. Access tube for manual ignition.  
 Bain marie jacket with automatic fill system.  
 Four safety systems for automatic jacket level control:  
 \_presostate for jacket pressure control  
 \_overpressure safety valve  
 \_jacket thermostat to prevent overheating  
 \_top embedded pressure gauge  
 The pan can be filled with cold or warm water by means of electro valves activated by a single switch at the front panel.  
 2" pan discharge safety tap with thermal insulator handle easy to operate without any effort.  
 Easy to remove, robust and reliable AISI-304 stainless steel discharge filter.  
 Double side lid, balance by hinge and front handle for diagonal opening at 75° that allows the lid to remain open at any position.  
 Perfect adjustment of the lid to reduce cooking time and save energy.  
 Led indicator for connected and working equipment.  
 Water-tight and protecting-support controls.  
 High temperature protector for the chimney made of enamelled cast iron.  
 Front access to components.  
 According to European standards for components and panels temperature, efficiencies and combustion, and sanitary regulations (EN-60335 and EN-203)  
 IPX5 grade water protection equipment.  
 Maximum power: 24.0 kW - Gas  
 It requires an 230V - 1+N power supply.  
 Dimensions: 800 x 930 x 850 mm.

SOUND LEVEL < **65,00 db**

CERTIFICATES **1312CS6208**

<u>INSTALLATION - CONNECTIONS</u>			<u>Ø</u>
▶	ELECTRICITY	SI	
▶	COLD WATER		"1/2""
▶	HOT WATER		"1/2""
▶	GAS		"R.3/4""G"





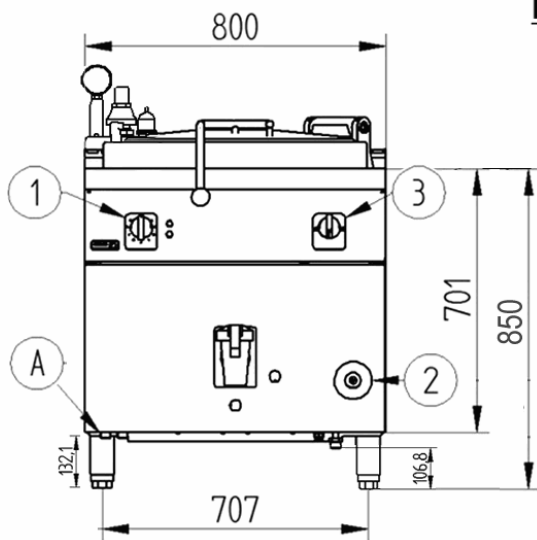
Catalogue :  
**SERIE 900 KORE**

Chapter :  
**BOILING PANS 900 KORE**

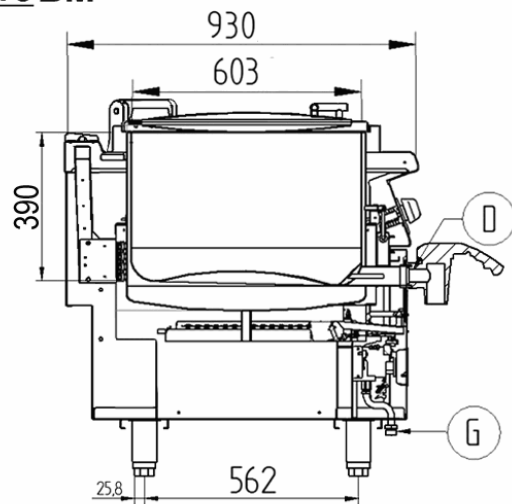
Article :  
**M-G915 BM LPG 230V 1N 50Hz**

Code :  
**19018340**

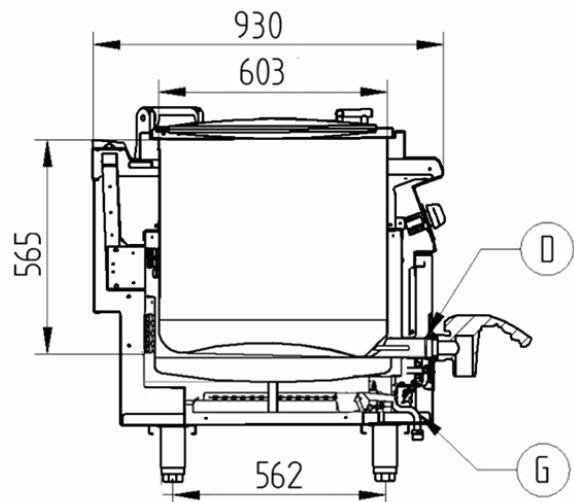
**SCHEMA - DIMENSIONS**



**M-G910 BM**



**M-G915 BM**



- A – Entrada de Agua
- G – Entrada de Gas
- D – Desagüe
- 1 – Grifo válvula de gas
- 2 – Pulsador tren de chispas
- 3 – Grifo de entrada de agua

- Water Inlet
- Gas Inlet
- Drainage
- Gas valve tap
- Piezoelectric ignitor
- Water inlet tap