

Sinks & Basins



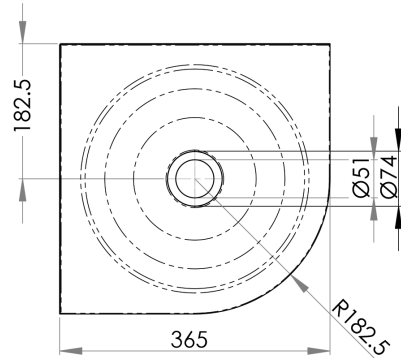
Corner Hand Basin



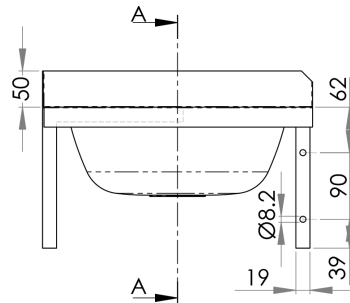
HBCR

- 6.3 litre capacity
- Constructed from 1mm 304 grade stainless steel
- 300mm bowl diameter
- 50mm splashback
- 40mm outlet - Suits PW40 & SSBW-40
- Comes complete with wall brackets
- Left, right or centre tap hole on request
- Taphole position and size to be indicated when ordering

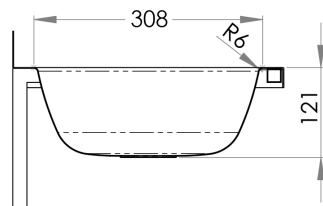
Top



Front



Cross Section



Use optional SAFETEE-STRIP
for no sharp edges