



Catalogue :

**SERIE 900 KORE**

Chapter :

**FRY-TOPS 900 KORE**

Article :

**FT-G905 L LPG 230V 1N**

Code:

**19030764**

<u>DIMENSIONS AND WEIGHTS</u>		<u>Net dimensions</u>	<u>Packed</u>
Length	mm	<b>400,00</b>	<b>1.022,00</b>
Depth	mm	<b>930,00</b>	<b>440,00</b>
Height	mm	<b>290,00</b>	<b>535,00</b>
Weight	kg	<b>70,00</b>	<b>88,00</b>
Volume	m3	<b>0,14</b>	<b>0,24</b>

<u>ELECTRICITY</u>		<u>50/60Hz</u>	
Power	<b>230V</b>		<b>0,10 kW</b>
Connections	230 V. 1+N+T		
	230 V. III+T		
	400 V. III+N+T		

<u>GAS</u>			
Power			<b>9,25 kW</b>
Gas type	<b>LPG</b>		
Consumption			<b>0,72 kg/h</b>
Pressure	<b>LPG G30/G31 28-30/37 mbar</b>		

WATER Not necessary

STEAM Not necessary

AIR Not necessary

DESCRIPTION

GAS FRY-TOP, FT-G905 L  
 Fry-top plates or hot plates are designed to grill a large amount of products. They are particularly fast and heat is evenly distributed. Thanks to their high power, they reach working temperature in a short time.  
 2 mm stainless AISI-304 steel top with rounded edges for easy cleaning. Laser cut and automatic welding for a perfect side to side adjustment of modules with square angle finish.  
 The hot plate is made of 20 mm thick mild steel.  
 Hot plate integrated into the embedded top. Easy to clean thanks to the rounded edges and embedded construction. Minimum edge radius 3.5 mm for easier cleaning.  
 Plate and lodging made according to EN-202-3 standard for materials in contact with food.  
 The plate is slanted forward for an easier collection of fat and liquids.  
 Fitted with a cooking fat drainage hole and removable collecting tray.  
 Smooth plate surface.  
 Useful heating surface: 21.5 dm<sup>2</sup>. Dimensions: 335 x 640 mm.  
 Heating by means of a double branch gas burner.  
 Thermostat for temperature control (between 100 and 300°C).  
 The thermostat control allows a more accurate adjustment of the plate cooking temperature for each type of product.  
 Safety thermostat.  
 Electronic ignition. Access tube for manual ignition.  
 Optional three-piece anti splash removable shields for easy cleaning.  
 Water-tight and protecting-support controls.  
 High temperature protector for the chimney made of enamelled cast iron.  
 Front access to components.  
 According to European standards for components and panels temperature, efficiencies and combustion, and sanitary regulations (EN-60335 and EN-203)  
 IPX5 grade water protection equipment.  
 Maximum power: 9.25 kW - Gas  
 It requires a 230V - 1+N power supply.  
 Dimensions: 400 x 930 x 290 mm.

SOUND LEVEL < **65,00** db

CERTIFICATES **99AP56**

<u>INSTALLATION - CONNECTIONS</u>		<u>Ø</u>
▶ ELECTRICITY		SI
▶ GAS		"R,3/4""G"





Catalogue :

**SERIE 900 KORE**

Chapter :

**FRY-TOPS 900 KORE**

Article :

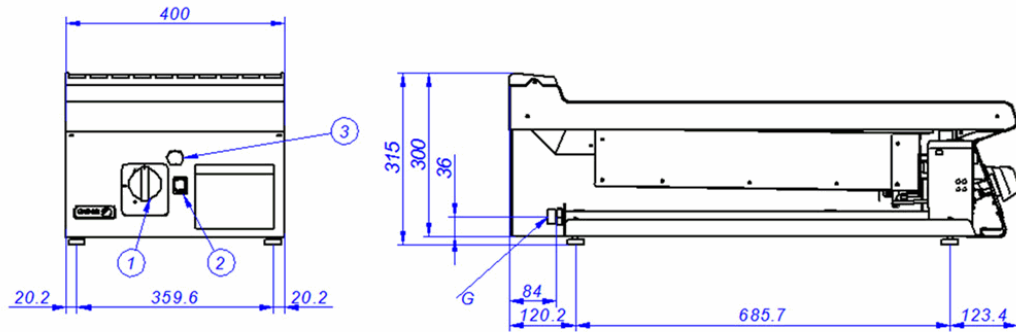
**FT-G905 L LPG 230V 1N**

Code :

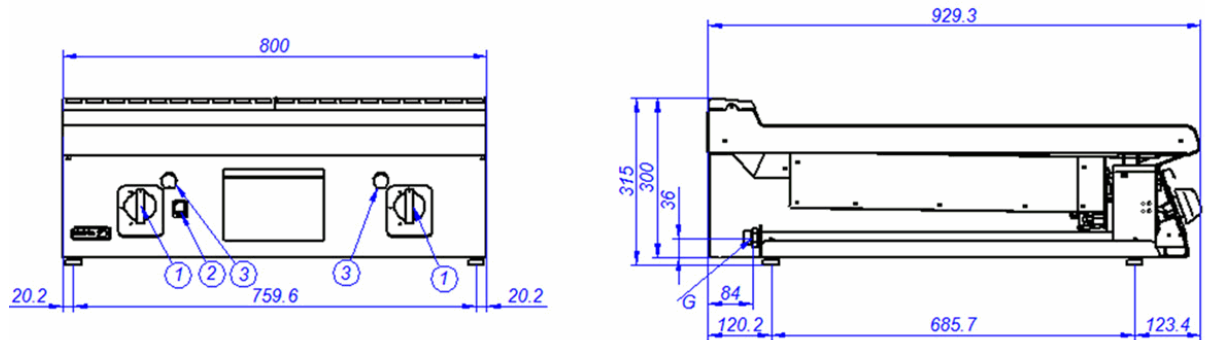
**19030764**

**SCHEMA - DIMENSIONS**

**FT-G905**



**FT-G910**



- G. Entrada de Gas
- 1. Válvula de gas
- 2. Pulsador tren de chispas
- 3. Orificio de encendido manual

- Gas Inlet
- Gas valve
- Piezoelectric ignitor
- Manual ignition hole