

# Storage Solutions



## Drop In Ice Well with Raised Flange

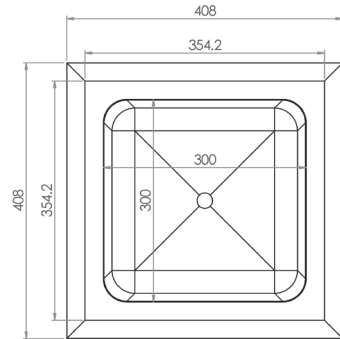


### ICEDI-303020

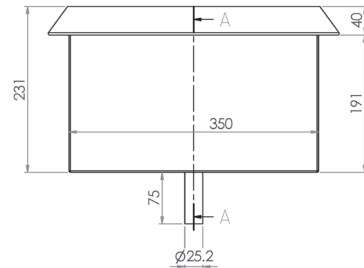
(300mm x 300mm x 200mm)

- Internal skin - constructed from 1.2mm 304 grade stainless steel
- External skin - constructed from 1.2mm 304 grade stainless steel complete with a flange for fixing
- Radius corners and cross breaks to a 25mm centre waste
- Raw edge ready for welding
- 25mm urethane injected insulation
- Ice lid and Basket available (optional)
- Custom sizes available, custom made products incur a lead time

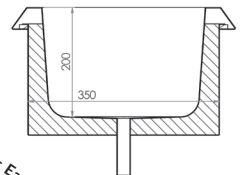
Top



Side



Cross Section



ICEL-303020  
ICEB-303020



Hygienic Easy-Lift Basket and P/I

ICEB-303020  
ICEB-403530