



Catalogue :

**SERIE 900 KORE**

Chapter :

**PASTA COOKERS 900 KORE**

Article :

**CP-E910 380...415V 3N**

Code:

**19037474**

<u>DIMENSIONS AND WEIGHTS</u>		<u>Net dimensions</u>	<u>Packed</u>
Length	mm	<b>800,00</b>	<b>1.022,00</b>
Depth	mm	<b>930,00</b>	<b>840,00</b>
Height	mm	<b>850,00</b>	<b>1.265,00</b>
Weight	kg	<b>100,00</b>	<b>120,00</b>
Volume	m3	<b>0,78</b>	<b>1,09</b>

<u>ELECTRICITY</u>		<u>50/60Hz</u>	
Power	<b>380...415V</b>		<b>24,00 kW</b>
Connections	230 V. 1+N+T	<b>2X1,5+T - 2 A</b>	
	230 V. III+T	<b>3 X 2,5 + T - 20A</b>	
	400 V. III+N+T	<b>2X(4X6MM2+T)</b>	

GAS Not necessary

WATER  
Pressure **Water Pres:200-400kPa(2-4bar)**

STEAM Not necessary

AIR Not necessary

SOUND LEVEL < **65,00 db**

<u>INSTALLATION - CONNECTIONS</u>	<u>Ø</u>
▶ ELECTRICITY	SI
▶ COLD WATER	"1/2""
▶ DRAIN	30X25
▶ DRAIN	30X25

DESCRIPTION

ELECTRIC PASTA COOKERS, CP-E910  
 Pasta cookers are devices specially designed to boil pasta, and they can also be used to boil vegetables, rice or eggs.  
 They are used with specific baskets in different sizes and volumes (1/1 or fractions 1/2 - 1/3 - 1/4 - 1/6).  
 2 mm stainless AISI-304 steel top with rounded edges for easy cleaning.  
 Laser cut and automatic welding for a perfect adjustment of sides between modules with square angle finish.  
 Number of wells: 2.  
 Standard equipment: Three 1/3 baskets by well.  
 2 x 40 liters water basins. They can be used with different combinations of basket sizes.  
 Integrated 1.5 mm AISI-316-L stainless steel basin with rounded edges for easy cleaning.  
 Electrical filling valve with two position switch: fast and medium filling speed. Basin discharge manual tap highly resistant to high temperature and safety overflow.  
 AISI 304 stainless steel electrical resistances at the pan bottom to heat the water directly.  
 Power regulator to control heating.  
 Low water level automatic safety shut off.  
 Provided with integrated drip zones on which baskets can be placed for draining purposes.  
 Water-tight and protecting-support controls.  
 High temperature protector for the chimney made of enamelled cast iron.  
 Front access to components.  
 According to European standards for components and panels temperature, efficiencies and combustion, and sanitary regulations (EN-60335 and EN-203)  
 IPX5 grade water protection equipment.  
 Maximum power: 24.0 kW  
 Dimensions: 800 x 930 x 850 mm.





Catalogue :

**SERIE 900 KORE**

Chapter :

**PASTA COOKERS 900 KORE**

Article :

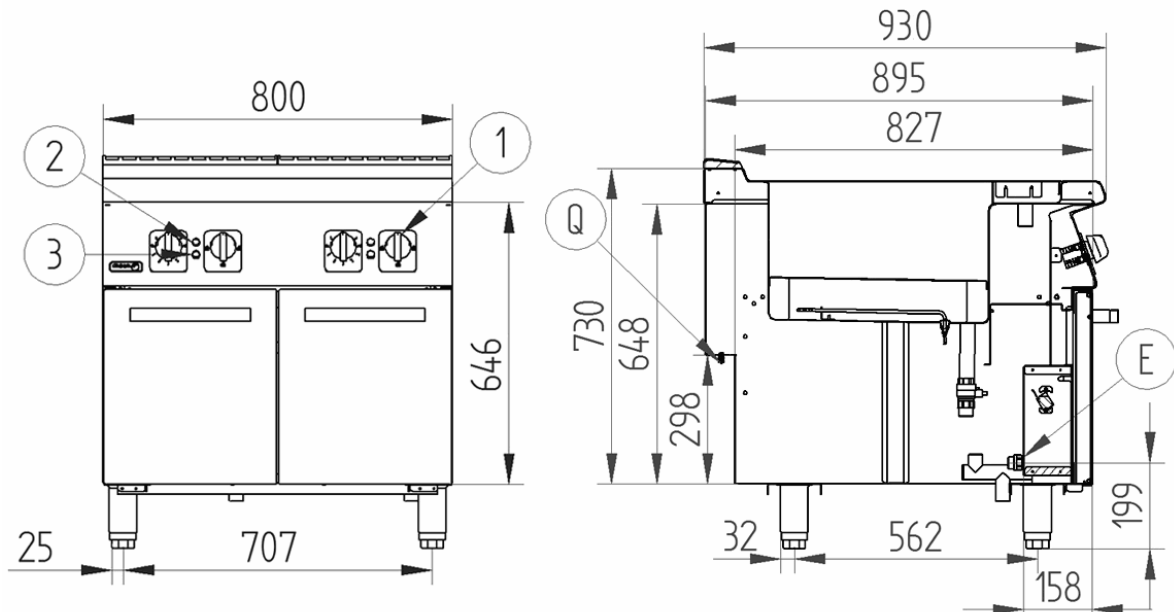
**CP-E910 380...415V 3N**

Code :

**19037474**

**SCHEMA - DIMENSIONS**

**CP-E910**



E – Conexión eléctrica  
 Q – Conexión equipotencial  
 1 – Mando termostato  
 2 – Piloto verde  
 3 – Piloto ambar

Electrical connection  
 Equipotential connection  
 Thermostat control  
 Green pilot  
 Ambar pilot