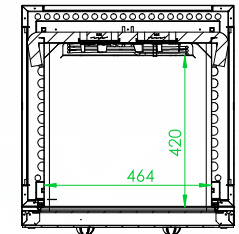
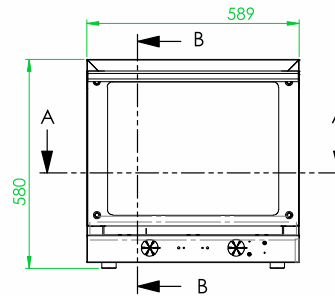
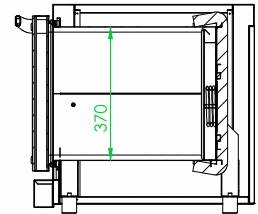


**CONVECTION OVENS**

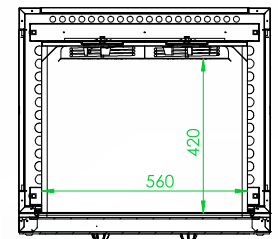
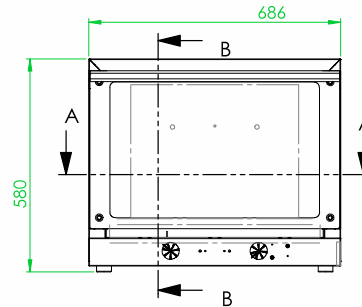
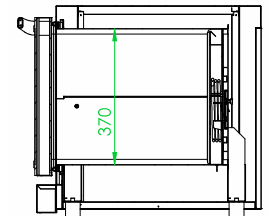
- Stainless steel cooking chamber with rounded corners
- Tempered low-e glass
- Door overture with fan/s stop systems
- LED alarms
- Interlocking gasket fixing system
- According to IPX3 standard norms
- High resistance hinge
- Temperature range of 50°C - 280°C
- 60 minute timer or infinite
- 84mm distance between trays



TDE-4C



TDE-4CGN



Code	Trays*	External Dimensions (WxDxH mm)	Internal Dimensions (WxDxH mm)	Weight (kg)	Voltage	Power (kW/A)
<b>Convection Oven</b>						
TDE-4C	4 x 435x350mm	589x660x580	464x420x370	34	240	2.35/10
TDE-4CGN	4 x 1/1GN	686x660x580	560x420x370	37	240	3.1/15

• Warranty will be void if the correct type of water filtration system is not installed & in use. Prices and specifications are subject to change without notice. Pictures are for illustrative purpose and final product may differ.