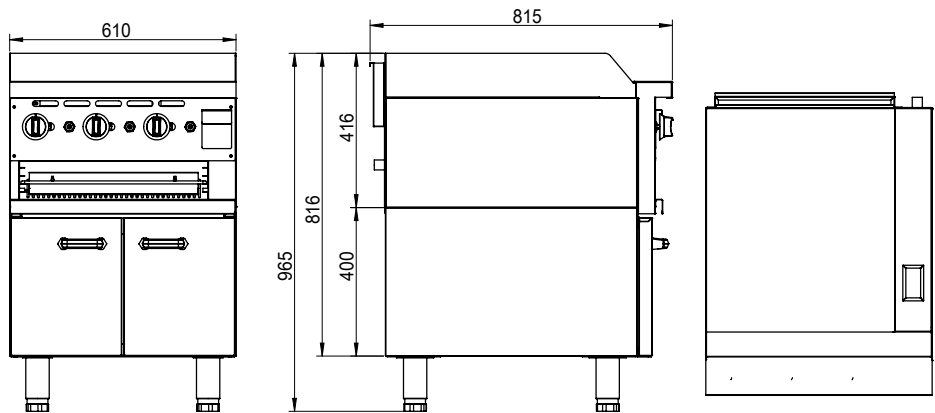


GAS GRIDDLE & TOASTER

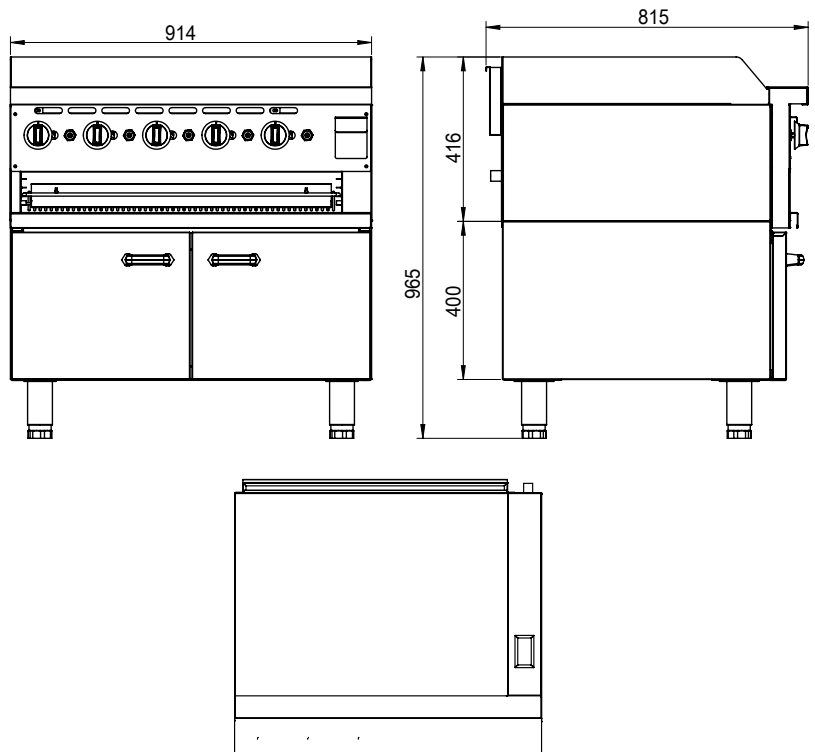
- Fully MIG welded frame for stability
- Stainless steel splash guard
- 150mm stainless steel adjustable heavy duty legs
- Covered pilot burner cover to prevent clogging from spillage
- Stainless steel pilot for durability
- Heavy duty cast grates 300x300mm, easy to be removed
- Pull out crumb tray with rounded edges to prevent heat transfer
- Full size sheet pan fit side-to-side or front-to-back
- 19mm thickness mild steel plate



GGs-24/GGS-24LPG



GGs-36/GGS-36LPG



Code	Gas Type	Griddle Plate Size (WxDxH mm)	Dimensions (WxDxH mm)	Weight (kg)	Regulator Size	Consumption (MJ/h)
GGs-24	NG	603 x570x19	610x815x970	163	3/4"	46.5
GGs-24LPG	LPG	603 x570x19	610x815x970	163	3/4"	46.5
GGs-36	NG	908 x570x19	915x815x970	178	3/4"	77.5
GGs-36LPG	LPG	908 x570x19	915x815x970	178	3/4"	77.5

• Gas equipment must be commissioned by an authorised technician.
 Prices and specifications are subject to change without notice. Pictures are for illustrative purpose and final product may differ