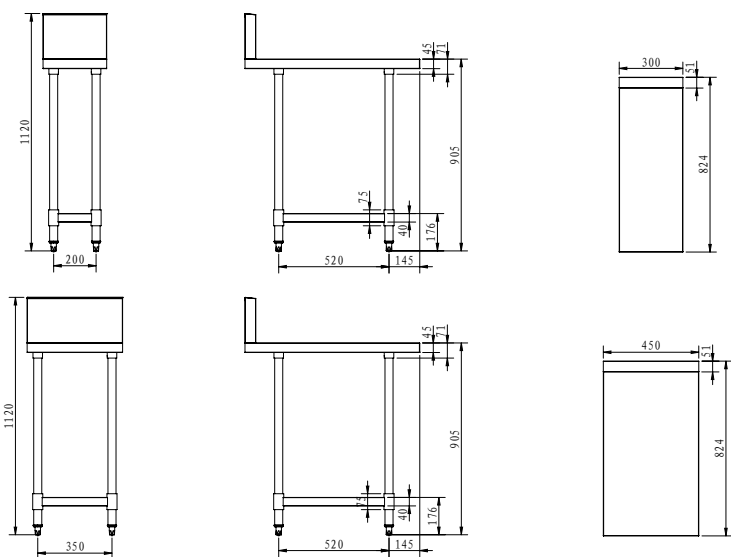




# GAS 800 SERIES INFILL BENCHES U.S. DESIGN

WBB-0300R / WBB-0450R



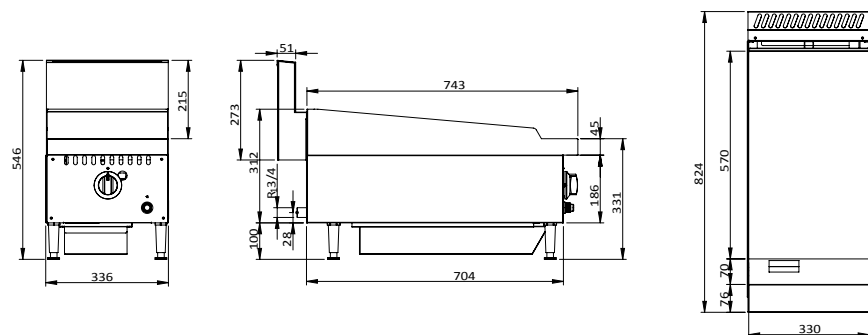
Code	Compatible Models	Weight (kg)
WBB-0300R	RB Cooktop / GBS Grill and Toaster / QR Chargrill / GG Griddle	18
WBB-0450R	RB Cooktop / GBS Grill and Toaster / QR Chargrill / GG Griddle	26

## GAS GRIDDLES

- Steel U-shape burner, each 30mj/hr for better heat distribution
- One control every 12"
- Standby pilot for easy start
- 22mm thickness griddle plate
- Stainless steel adjustable heavy duty legs
- Oil collector at the bottom
- Stainless steel in the front & sides
- Manual control
- Optional stands on page 34



GG-12



Code	Gas Type	Griddle Plate Size (mm)	Dimensions (WxDxH mm)	Weight (kg)	Regulator Size	Consumption (MJ/h)
GG-12	NG	330x570x22	336x761x407	40	3/4"	30
GG-12LPG	LPG	330x570x22	336x761x407	40	3/4"	33

• Gas equipment must be commissioned by an authorised technician. Prices and specifications are subject to change without notice. Pictures are for illustrative purpose and final product may differ