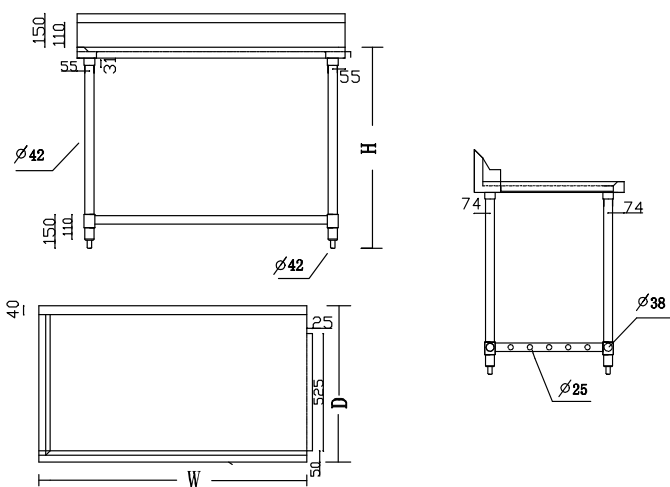


QUALITY 304 S/S OUTLET TABLE WITH POT SHELF

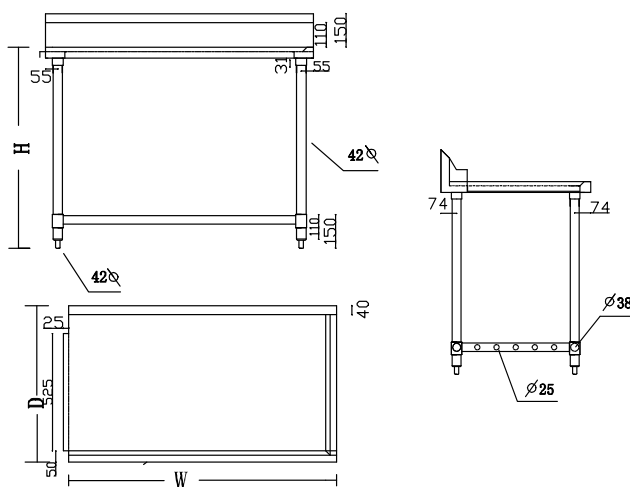
- Dishwasher benches are solid 1.2mm 304 grade S/S backed with XPS board & lined with zinc plated steel panel
- 700mm deep/ 600mm S/S adjustable feet.
- Pot Undershelves are 1.0mm 304 grade S/S (18/8); BA finish
- Outer frame tubes: 1.0mm S/S
- 5 × inner tubes: 1mm S/S
- Splashbacks are 304 grade S/S & are a standardised height on all tables for consistency in alignment
- 150mm high; 30mm deep
- Our benches are specially designed for quick & simple assembly
- Come with instruction manual & tools
- Hygienic & easy to clean
- Flat packed for easy self assembly
- S/S Bolt down feet available



Baskets not included



Right Hand Outlet attaches to Left side of dishwasher



Left Hand Outlet attaches to Right side of dishwasher

Code	Dimensions (WxDxH mm)
700Dx900H - Right	
WBBD7-0600R/A	600x700x900
WBBD7-0900R/A	900x700x900
WBBD7-1200R/A	1200x700x900
WBBD7-1500R/A	1500x700x900
WBBD7-1800R/A	1800x700x900

Code	Dimensions (WxDxH mm)
700Dx900H - Left	
WBBD7-0600L/A	600x700x900
WBBD7-0900L/A	900x700x900
WBBD7-1200L/A	1200x700x900
WBBD7-1500L/A	1500x700x900
WBBD7-1800L/A	1800x700x900

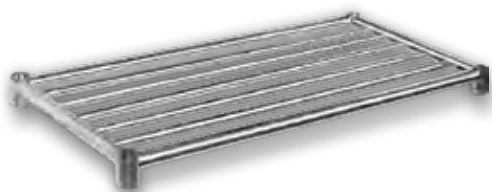
Prices and specifications are subject to change without notice. Pictures are for illustrative purpose and final product may differ

EXTRA TABLE SHELVES FOR PREMIUM RANGE

- Premium workbench & sink models begin with WB, WBB, SSB, DSB, & DSBD



Code	Width (mm)
Solid Undershelv - 490mm Deep	
SUS6-0600/A	490
SUS6-0900/A	790
SUS6-1200/A	1090
SUS6-1500/A	1390
SUS6-1800/A	1690
SUS6-2100/A	1990
SUS6-2400/A	2290



Code	Width (mm)
Pot Rack Undershelv - 490mm Deep	
PRU6-0600/A	490
PRU6-0900/A	790
PRU6-1200/A	1090
PRU6-1500/A	1390
PRU6-1800/A	1690
PRU6-2100/A	1990
PRU6-2400/A	2290



Code	Width (mm)
Leg Bracing - 490mm Deep	
LB6-0600/A	490
LB6-0900/A	790
LB6-1200/A	1090
LB6-1500/A	1390
LB6-1800/A	1690
LB6-2100/A	1990
LB6-2400/A	2290

Code	Width (mm)
Solid Undershelv - 590mm Deep	
SUS7-0600/A	490
SUS7-0900/A	790
SUS7-1200/A	1090
SUS7-1500/A	1390
SUS7-1800/A	1690
SUS7-2100/A	1990
SUS7-2400/A	2290

Code	Width (mm)
Pot Rack Undershelv - 590mm Deep	
PRU7-0600/A	490
PRU7-0900/A	790
PRU7-1200/A	1090
PRU7-1500/A	1390
PRU7-1800/A	1690
PRU7-2100/A	1990
PRU7-2400/A	2290

Code	Width (mm)
Leg Bracing - 590mm Deep	
LB7-0600/A	490
LB7-0900/A	790
LB7-1200/A	1090
LB7-1500/A	1390
LB7-1800/A	1690
LB7-2100/A	1990
LB7-2400/A	2290

EXTRA TABLE SHELVES FORECONOMIC RANGE

- Suitable for best value economic workbench & sink models ending with WB, WBB, SSB, DSB, & DSBD



Code	Width (mm)
Solid Undershelv - 450mm Deep	
0600-SUS6	490
0900-SUS6	790
1200-SUS6	1090
1500-SUS6	1390
1800-SUS6	1690
2100-SUS6	1990
2400-SUS6	2290

Code	Width (mm)
Solid Undershelv - 550mm Deep	
0600-SUS7	490
0900-SUS7	790
1200-SUS7	1090
1500-SUS7	1390
1800-SUS7	1690
2100-SUS7	1990
2400-SUS7	2290

S/S LEG AND CASTOR KITS



Code	Quantity
Bolt down feet	
DM-FEET	1

PREMIUM RANGE



Code	Quantity
42mmØ; 1.0mmS/S x 850mm High	
SSLEG/4	Set of 4 legs
SSLEG/6	Set of 6 legs



Code	Quantity
42mmØ; 1.0mmS/S x 100mmØ castor x 850mm High	
LC-01/A	2x castor with brake 2x castor no brake
LC-02/A	3x castor with brake 3x castor no brake

ECONOMIC RANGE



Code	Quantity
41 mm Ø x 885mm High	
AELEG	1 leg



Code	Quantity
Economic Range Castors	
CASOR-D41	2x castor with brake 2x castor no brake

S/S WALL CABINET



Code	Dimensions (WxDxH mm)
WC-0900	900x380x600
WC-1200	1200x380x600
WC-1500	1500x380x600

OVERSHELF FOR PREMIUM RANGE



Code	Dimensions (WxDxH mm)
Single Tier	
WBO1-1200	1200x300x450
WBO1-1500	1500x300x450
WBO1-1800	1800x300x450
Double Tier	
WBO2-1200	1200x300x750
WBO2-1500	1500x300x750
WBO2-1800	1800x300x750

Prices and specifications are subject to change without notice. Pictures are for illustrative purpose and final product may differ