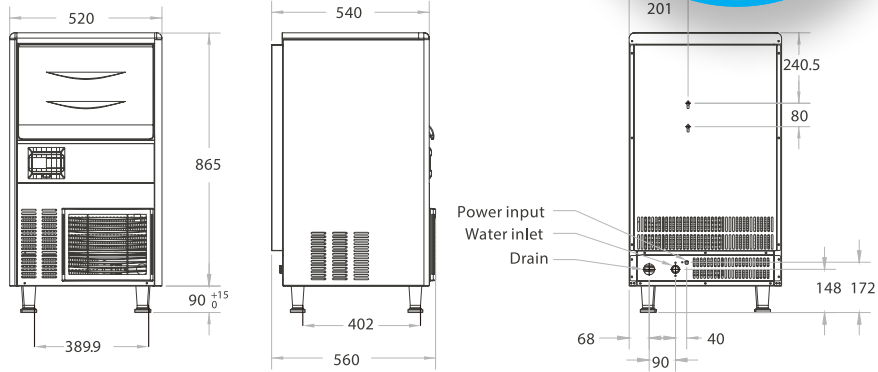


GRANULAR ICE MAKERS

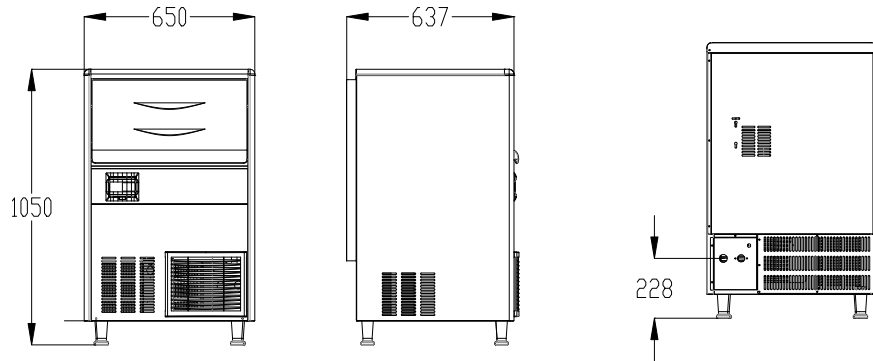
- Simple maintenance and easy to move, modular design
- Excellent electric control system
- AIR-COOLED
- Fully automatic and accurate control system
- U.S. Morrill Water Pump
- German ĘBM-Pabst fans
- Hisakage PCL
- Denmark Danfross Expansion
- Valve & Dry Filter
- Japanese Saginomiya Solenoid & Hydraulic Valve
- Includes removable water filter



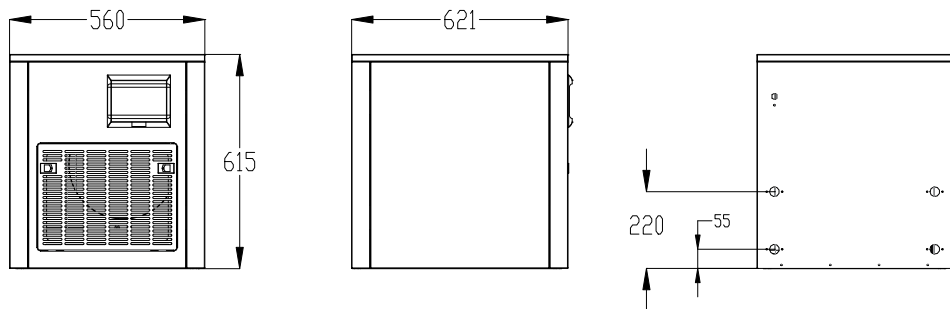
SN-068F



SN-128F



SN-258F



Code	Output (kg/24hrs)	Storage (kg)	Dimensions (WxDxH mm)	Weight (kg)	Voltage	Power (W/A)
SN-068F	60	20	520x560x955	46	240	300/10
SN-128F	120	50	650x660x1050	50	240	600/10
SN-258F	250	125	560x830x1760	105	240	1000/10

Allow 100mm clearance for installation, all vents must be left clear. Prices and specifications are subject to change without notice. Pictures are for illustrative purpose and final product may differ