

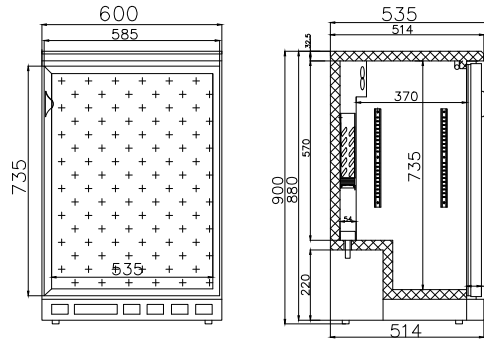
# BLACK MAGIC BAR COOLERS

- Two levels of shelving plus floor
- Digital temp. control & read-out
- Ambient 32°C & 60% RH
- Double glazed doors
- Self-closing doors
- Lockable doors
- Auto defrost & evaporating drainage
- Light inside
- Strong industrial shelving
- Fully adjustable shelves
- Castors

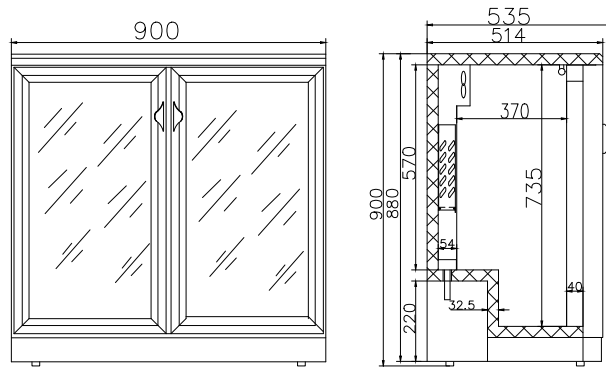
**AMBIENT 32°C**



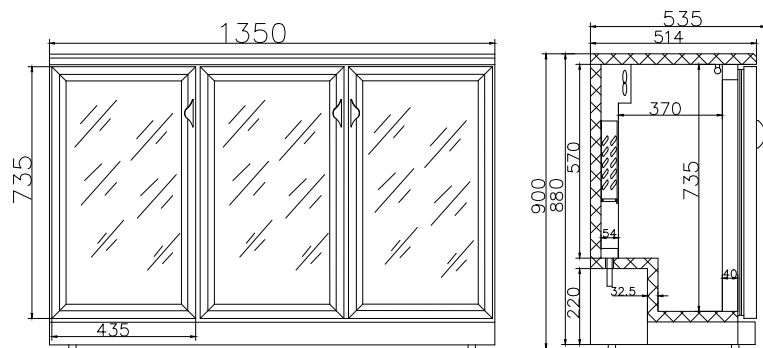
SC148SG



SC248SG



SC316SG



Code	GEMS Star Rating	Litre	Doors	Dimensions (WxDxH mm)	Weight (kg)	Temperature Range	Ambient/ RH%	Voltage	Power (W/A)
SC148SG	9	129	1	600x535x900	52	+2 to +8	32/60	240	160/10
SC248SG	9	202	2	900x535x900	75	+2 to +8	32/60	240	280/10
SC316SG	8	320	3	1350x535x900	92	+2 to +8	32/60	240	315/10

Allow 100mm clearance for installation, all vents must be left clear. Prices and specifications are subject to change without notice. Pictures are for illustrative purpose and final product may differ