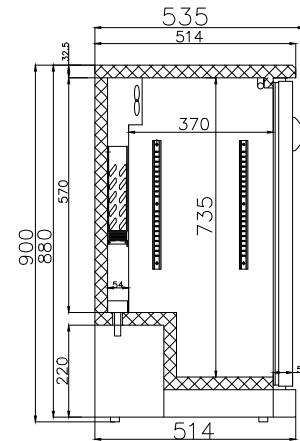
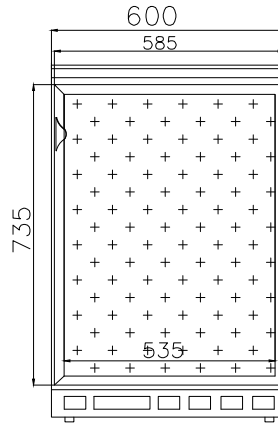
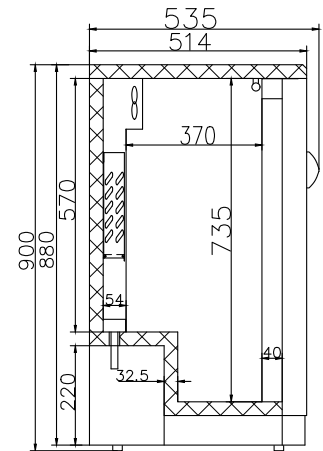
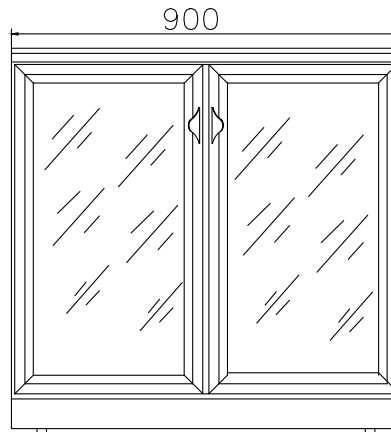


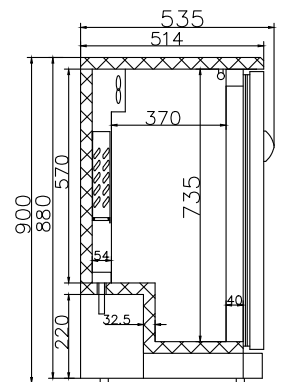
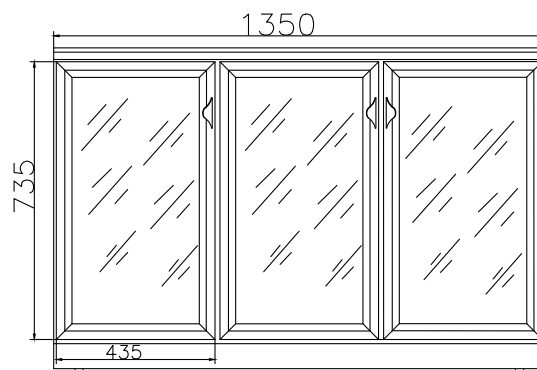
SC148G



SC248G



SC316G



Code	GEMS Star Rating	Litre	Doors	Dimensions (WxDxH mm)	Weight (kg)	Temperature Range	Ambient/ RH%	Voltage	Power (W/A)
<b>Glass doors</b>									
SC148G	9	129.2	1	600x535x900	52	+2 to +8	32/60	240	160/10
SC248G	9	201.6	2	900x535x900	75	+2 to +8	32/60	240	280/10
SC316G	8	320.3	3	1350x535x900	92	+2 to +8	32/60	240	315/10

Allow 100mm clearance for installation, all vents must be left clear. Prices and specifications are subject to change without notice. Pictures are for illustrative purpose and final product may differ