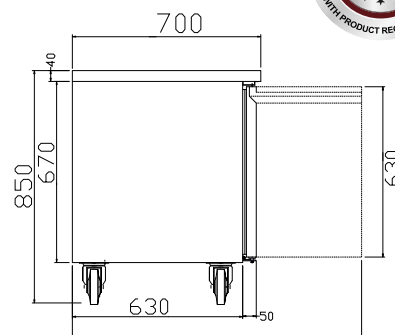
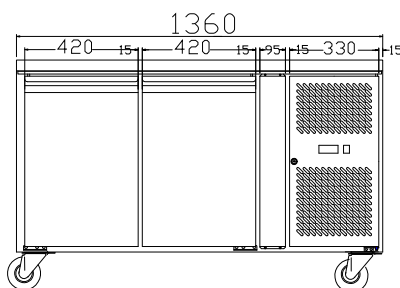


S/S GN WORKBENCH FRIDGES & FREEZERS

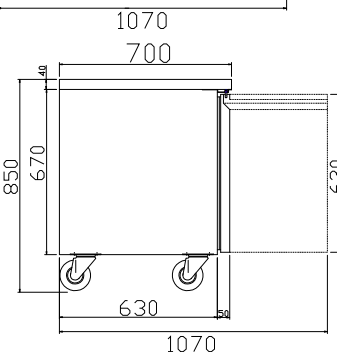
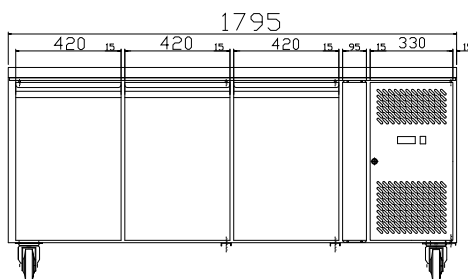
- Stainless steel interior & exterior
- Aspera or Zanussi compressors
- German ĘBM-Pabst fans
- Italian (Dixell) digital temp. controls & read-out
- One level of shelving plus floor
- Solid Door fridge Ambient 43°C & 40% RH
- Solid Door freezer Ambient 38°C & 40% RH
- Glass Door fridge Ambient 35°C & 60% RH
- Fan-forced evaporator cooling
- Auto defrost
- Self evaporating drainage
- CFC & HCFC free insulation
- Internal corners constructed for easy cleaning
- Extremely efficient self-closing doors
- Heated door frame on freezers
- Castors
- Designed to accommodate GN pans
- Optional splashback units available, contact your local rep for details
- Optional full stainless steel drawers with Italian Compex door runners



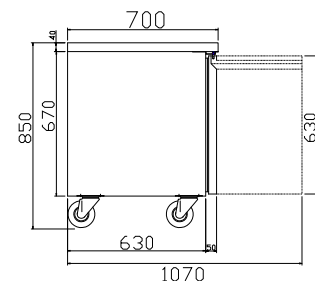
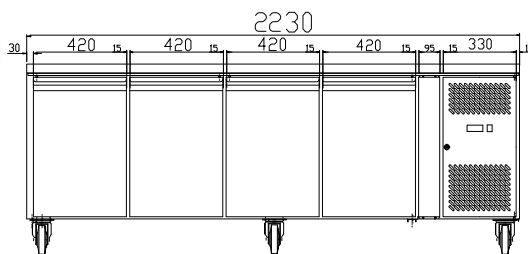
GN2100TN / GN2100BT



GN3100TN / GN3100BT



GN4100TN



Code	Litre	Doors	Dimensions (WxDxH mm)	Weight (kg)	Temperature Range	Ambient/ RH%	Voltage	Power (W/A)
------	-------	-------	-----------------------	-------------	-------------------	--------------	---------	-------------

Solid s/s door fridges								
GN2100TN	313.5	2	1360x700x850	98	-2 to +8	43/40	240	350/10
GN3100TN	464.6	3	1795x700x850	134	-2 to +8	43/40	240	350/10
GN4100TN	615.8	4	2230x700x850	153	-2 to +8	43/40	240	350/10

Solid s/s door freezers								
GN2100BT	313.5	2	1360x700x850	98	-18 to -22	38/40	240	390/10
GN3100BT	464.6	3	1795x700x850	134	-18 to -22	38/40	240	430/10

Allow 100mm clearance for installation, all vents must be left clear. Prices and specifications are subject to change without notice. Pictures are for illustrative purpose and final product may differ