

# SOLID DOOR UPRIGHT FRIDGES & FREEZERS

- Stainless steel interior and exterior with rounded corners for easy cleaning
- Auto defrost
- Three levels of shelving plus base
- Self-closing lockable doors with heavy duty magnetic door seals

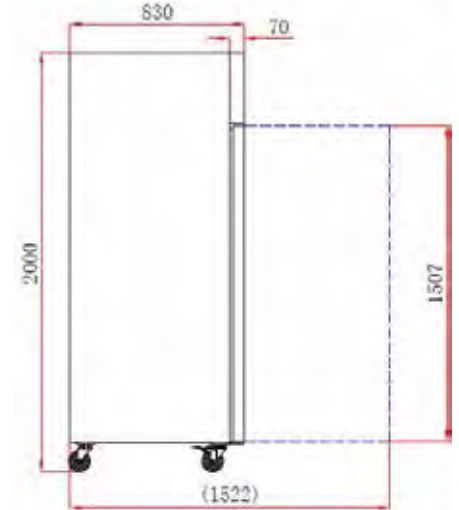
- HFCs and CFCs free foam body insulation
- Fan forced evaporator cooling
- Tropicalised for Australian conditions
- User friendly Digital controls and internal lighting
- Integrated door handle for easy

- cleaning
- Heavy duty evaporator and condenser fans
- Heavy duty castors with front wheel brakes

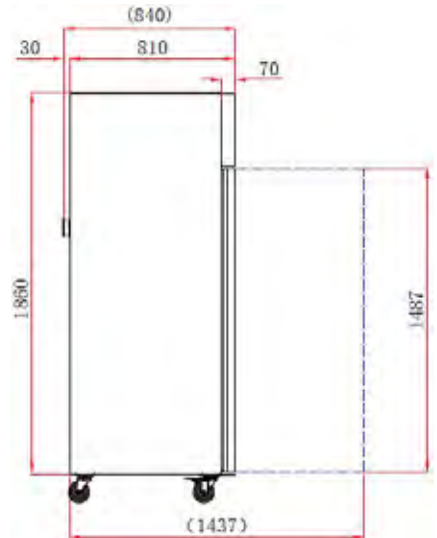
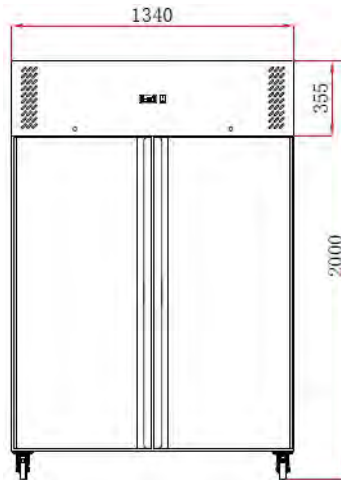


**AMBIENT 43°C**

XURC650SFV / XURF650SFV



XURC1200SFV / XURF1200SFV







Code	Lite	Dimensions (WxDxH mm)	Weight (kg)	Temperature Range	Ambient/ RH%	Voltage	Power (W/A)
<b>Single door fridge</b>							
XURC650SFV	650	740x830x2000	121	-2 to +8	43/40	240	310/10
<b>Single door freezer</b>							
XURF650SFV	650	740x830x2000	126	-18 to -22	43/40	240	640/10
<b>Double door fridge</b>							
XURC1200SFV	1200	1340x810+30x2000	167	-2 to +8	43/40	240	430/10
<b>Double door freezer</b>							
XURF1200SFV	1200	1340x810+30x2000	177	-18 to -22	43/40	240	730/10

Allow 100mm clearance for installation, all vents must be left clear. Prices and specifications are subject to change without notice. Pictures are for illustrative purpose and final product may differ

## FED-X UPRIGHT REFRIGERATION ACCESSORIES



Code	Description	
<b>Additional Shelf Set</b>		
12502013416	Infill shelf for XURC1200G2V, XURC1200S2V, XURF1200G2V and XURF1200S2V	
12502012803	Infill shelf for XURC1410G2V, XURC1410S2V, XURF1410G2V and XURF1410S2V	
XUR-SHELFSET	Additional shelf set for upright fridge and freezer units, including one shelving and one pair of runner, suits XURC1200G2V, XURC1200S2V, XURC600G1V, XURC600S1V, XURF1200G2V, XURF1200S2V, XURF600G1V, XURF600S1V, XURC1410G2V, XURC1410S2V, XURC650G1V, XURC650S1V, XURF1410G2V, XURF1410S2V and XURF650S1V	
<b>Optional Stainless Steel Runners</b>		
GXE-2-1516	Runner Set for Upright Refrigeration, XURC1200G2V, XURC1200S2V, XURC600G1V, XURC600S1V, XURF1200G2V, XURF1200S2V, XURF600G1V, XURF600S1V, XURC1410G2V, XURC1410S2V, XURC650G1V, XURC650S1V, XURF1410G2V	
<b>Legs</b>		
12533110010	Heavy duty Stainless Steel Leg Adjustable Range 140-200mm (per pc)	