

# GLASS DOOR SUPERMARKET FRIDGES



- Forced air circulation
- Adjustable shelves
- Interior LED lights
- Powder coated interior

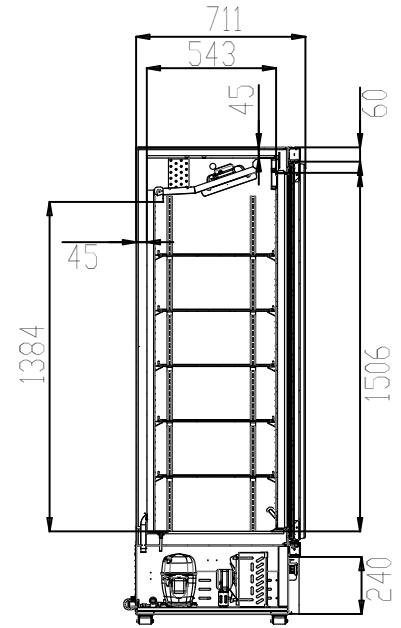
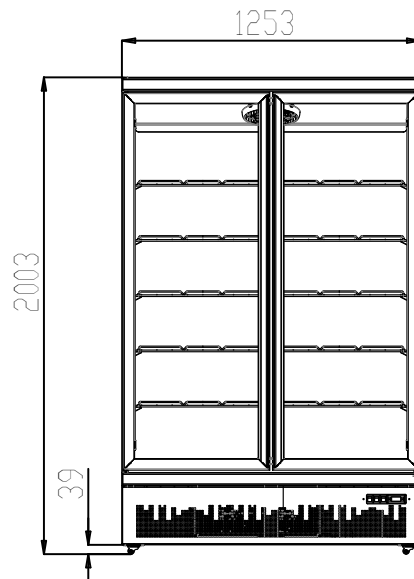
- Universal wheels
- Double glazing tempered glass
- Self closing door
- Door locks

- Self evaporating drip tray
- Aluminium door frame & handle

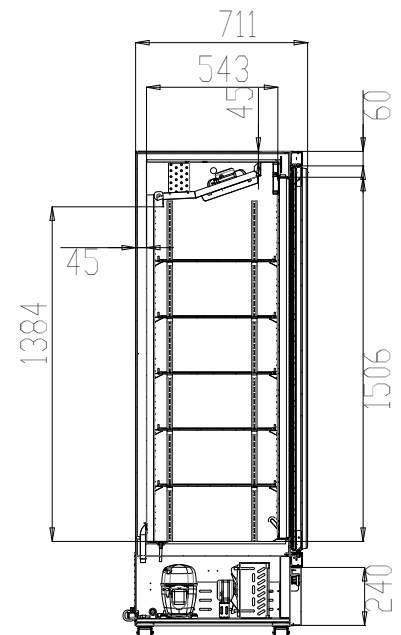
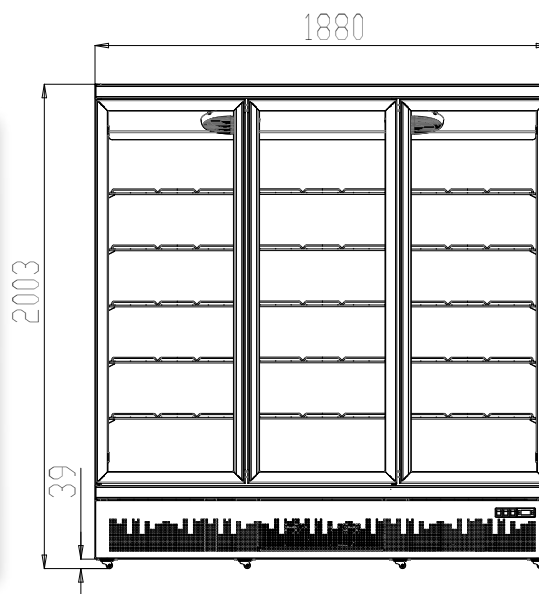


**AMBIENT 38°C**

LG-1000GBM



LG-1500GBM



Code	GEMS Star Rating	Litre	Dimensions (WxDxH mm)	Weight (kg)	Temperature Range	Ambient/ RH%	Voltage	Power (W/A)
<b>Double door</b>								
LG-1000GBM	8	1000	1253x710x2003	179	+2 to +8	38/65	240	533/10
<b>Triple door</b>								
LG-1500GBM	6	1530	1880x710x2003	207.5	+2 to +8	38/65	240	559/10

Allow 100mm clearance for installation, all vents must be left clear.

Prices and specifications are subject to change without notice. Pictures are for illustrative purpose and final product may differ