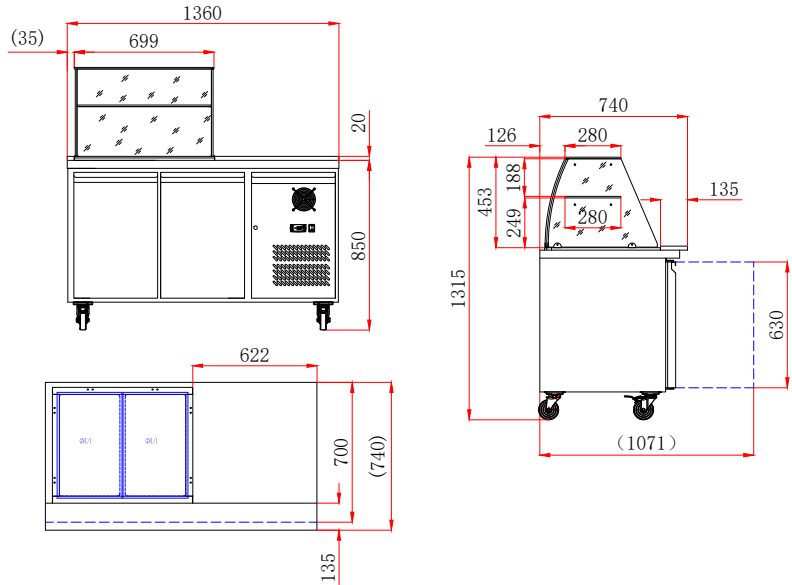


SALADETTES / SANDWICH BAR

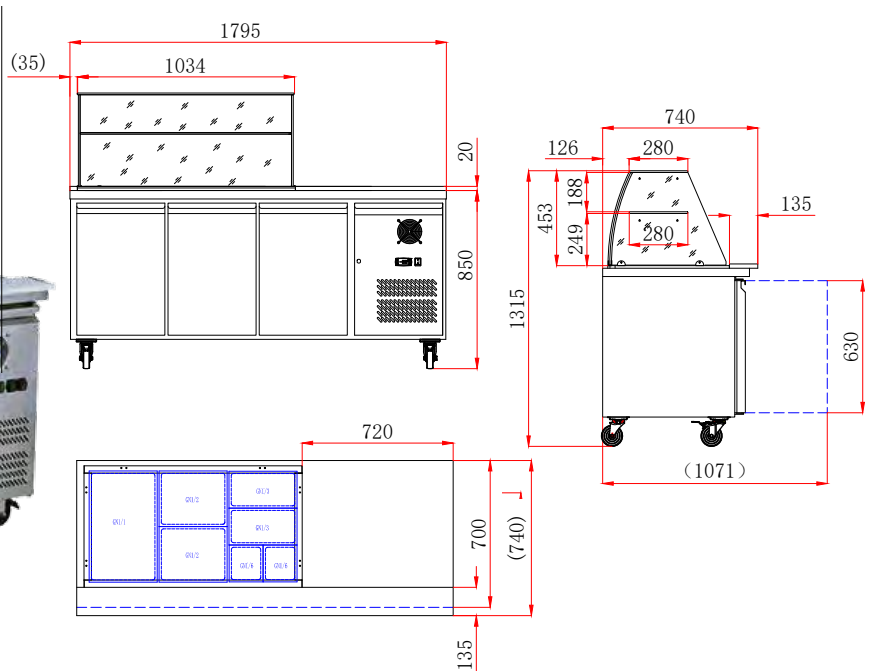


- Stainless steel interior and exterior with rounded corners for easy cleaning
- Open top suitable for multiple pan configurations
- Replaceable magnetic door seals
- User friendly Digital controls
- Integrated cutting board made from high-density polyethylene
- Heavy duty castors with front wheel brakes
- Pans and pan covers must be used to ensure correct operating temperature
- Refrigerant R290
- Pans not included. Select on page 286-287

XTHP2100SALGC



XTHP3100SALGC



Code	Dimensions (WxDxH mm)	Weight (kg)	Temperature Range °C	Ambient/RH%	Voltage	Power (W/A)
2 Door - Multiple Pan Configurations						
XTHP2100SALGC	1360x700x850+470	105	+2 to +8	32/60	240	215/10
3 Door - Multiple Pan Configurations						
XTHP3100SALGC	1795x700x850+470	118	+2 to +8	32/60	240	230/10

Prices and specifications are subject to change without notice. Pictures are for illustrative purpose and final product may differ