

S/S PIZZA, SANDWICH & SALAD BARS

- "Blown air well"
- Easy to clean
- Stainless steel interior and exterior with galvanised metal back
- Fridge has one level of shelving plus floor
- Embraco compressors
- German ebm-pabst fans
- Digital temp. control & read-out
- Ambient 32°C & 60% RH
- Internals constructed for easy cleaning
- Working area 300mm deep
- 300mm deep PE cutting board included
- Bench height 880mm
- Fan-forced evaporator cooling
- Auto defrost
- Self evaporating drainage
- Castors
- Cross-flow pan cooling
- Pans not included. Select on page 286-287

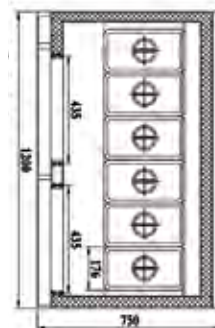
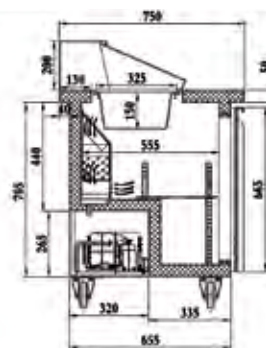
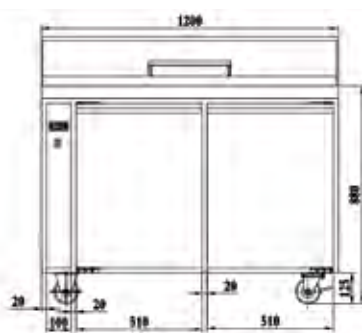


*Pan covers must be used to ensure correct operating temperature.

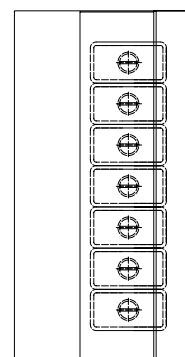
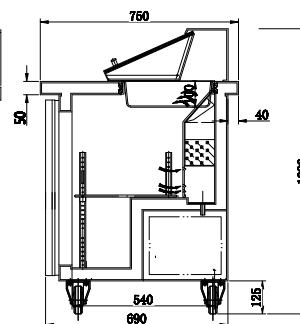
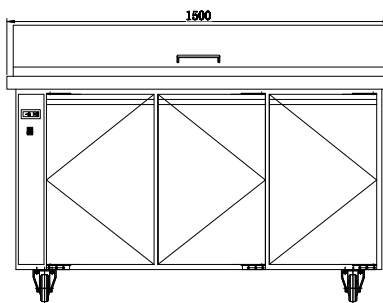
Code	litre	Dimensions (WxDxH mm)	Weight (kg)	Temperature Range °C	Ambient/ RH%	Voltage	Power (W/A)
2 Door - 6x1/3 pans							
SLB120	270	1200x750x1080	109	+2 to +8	32/60	240	300/10
3 Door - 7x1/3 pans							
SLB150	340	1500x750x1080	128	+2 to +8	32/60	240	390/10
3 Door Large - 9x1/3 pans							
SLB180	390	1800x750x1080	145	+2 to +8	32/60	240	390/10
4 Door Large - 12x1/3 pans							
SLB240	525	2400x750x1080	175	+2 to +8	32/60	240	525/10

Cold tops are holding units only, product needs to be pre-chilled to less than 5°C. Prices and specifications are subject to change without notice. Pictures are for illustrative purpose and final product may differ

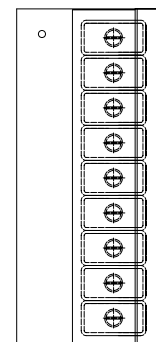
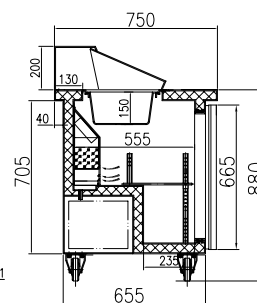
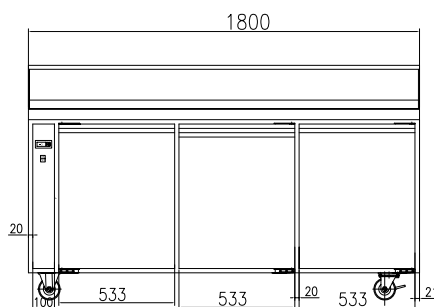
SLB120



SLB150



SLB180



SLB240

