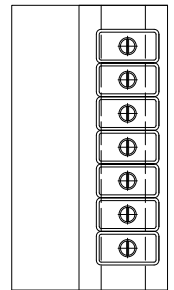
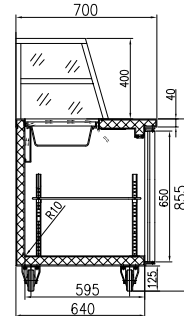
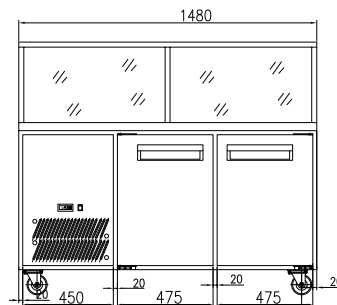


DELUXE S/S PIZZA, SALAD & SANDWICH BAR

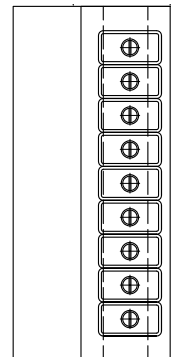
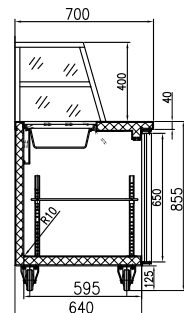
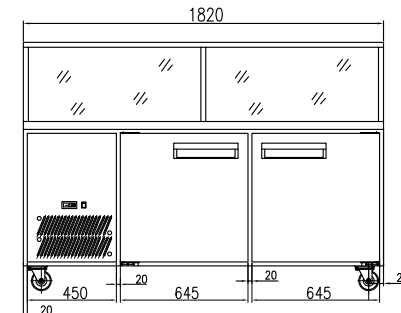
- Cross air over food
- Fridge has one level of shelving plus floor
- Enclosed pan area with perspex sliding door
- Aspera compressors
- German ebm-pabst fans
- Digital temp. control & read-out
- Ambient 32°C & 60% RH
- Internal constructed for easy cleaning
- Working area 230mm deep
- PE cutting board included
- Bench height 855mm
- Castors
- Fan-forced evaporator cooling
- Auto defrost
- Self evaporating drainage
- Additional middle glass shelf
- Cassette cooling system for easy maintenance
- Pans not included. Select on page 226



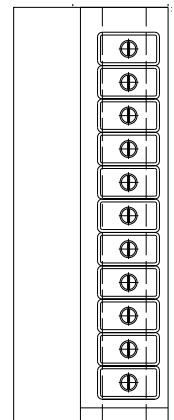
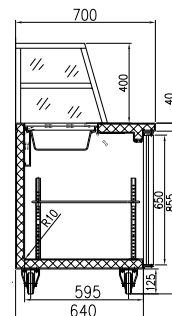
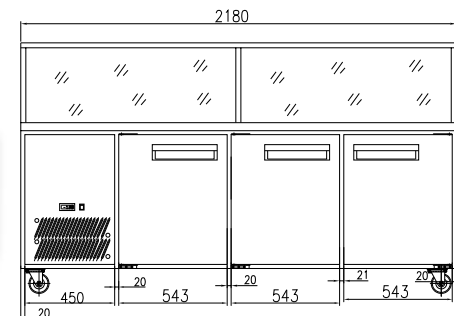
SCB/15



SCB/18



SCB/21



*Pan covers must be used to ensure correct operating temperature.

Code	litre	Dimensions (WxDxH mm)	Weight (kg)	Temperature Range °C	Ambient/ RH%	Voltage	Power (W/A)
2 Door - 7x1/3 pans							
SCB/15	550	1480x700x1255	140	+2 to +8	32/60	240	440/10
2 Door Large - 9x1/3 pans							
SCB/18	870	1820x700x1255	158	+2 to +8	32/60	240	550/10
3 Door - 11x1/3 pans							
SCB/21	1000	2180x700x1255	176	+2 to +8	32/60	240	580/10

Prices and specifications are subject to change without notice. Pictures are for illustrative purpose and final product may differ