

SHORT MODERN DISPLAY

- 2 adjustable levels of wire shelving plus floor
- LED lighting
- Digital temp. control & read-out
- Stainless steel base
- Rear sliding glass doors
- Secop or Aspera compressor
- Ambient 40°C & 40% RH
- Triple glazed front with heated filaments to stop condensation
- Self evaporating drainage
- Optional glass shelves available upon request



Adjustable shelving allows multiple display options

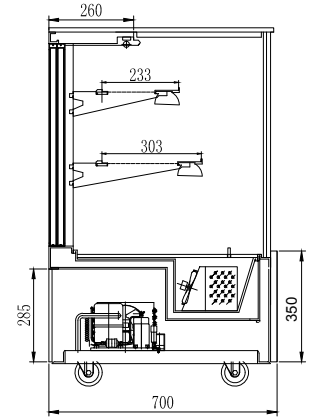
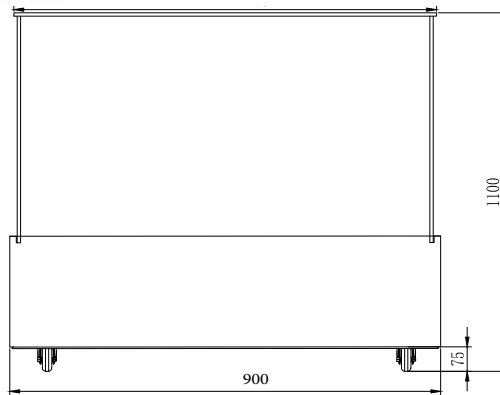


Optional additional shelving

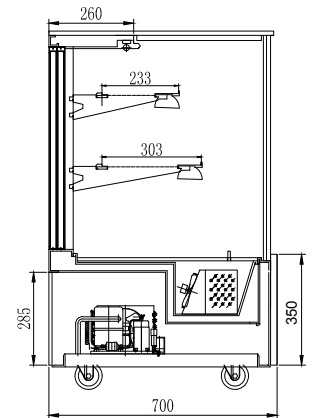
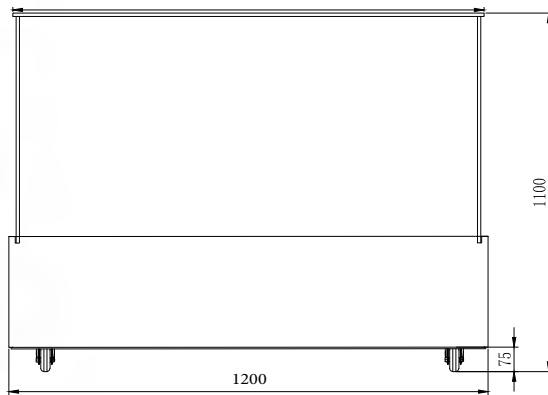
| Code | GEMS Star Rating | Dimensions (WxDxH mm) | Weight (kg) | Temperature Range °C | Ambient/ RH% | Voltage | Power (W/A) |
|------------|------------------|-----------------------|-------------|----------------------|--------------|---------|-------------|
| SSU90-2XB | 4 | 900x700x1100 | 190 | +2 to +8 | 40/40 | 240 | 621/10 |
| SSU120-2XB | 4 | 1200x700x1100 | 235 | +2 to +8 | 40/40 | 240 | 792/10 |
| SSU150-2XB | 4 | 1500x700x1100 | 275 | +2 to +8 | 40/40 | 240 | 895/10 |

Allow 100mm clearance for installation, all vents must be left clear. Prices and specifications are subject to change without notice. Pictures are for illustrative purpose and final product may differ

SSU90-2XB



SSU120-2XB



SSU150-2XB

