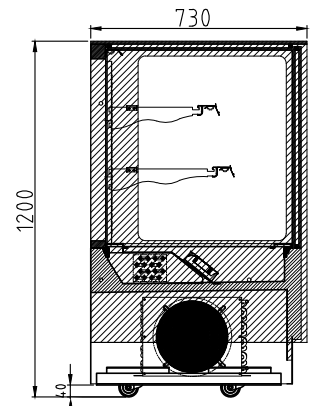
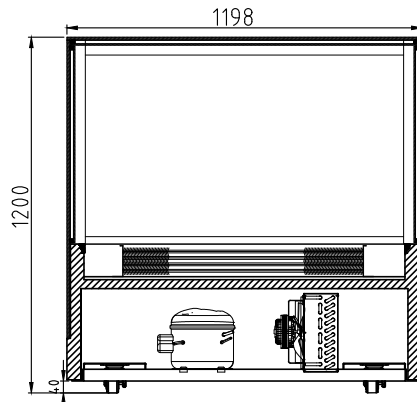


COLD DISPLAY 2 SHELVES

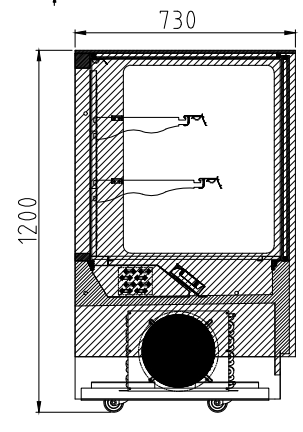
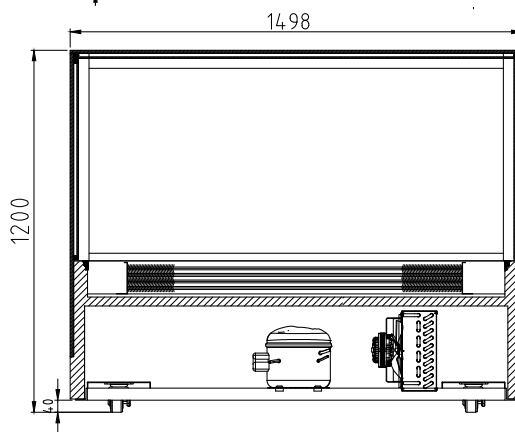
- Double glazed and heated glass for clear vision
- Rear sliding removable doors for easy cleaning
- LED lighting on each shelf for excellent illumination
- Stainless steel mirror base
- 2 shelves plus bottom
- 32°C ambient at 60% RH
- Easily accessible cooling system for easy cleaning
- Digital temperature control
- Ventilated cooling system by controlling humidity at low temperature
- Auto defrost
- Operating temperature: 2°C~8°C
- Compressor: Secop
- Fitted with castors for easy mobility
- Warranty: 1 Year Parts and Labour + 1 Year Additional Parts



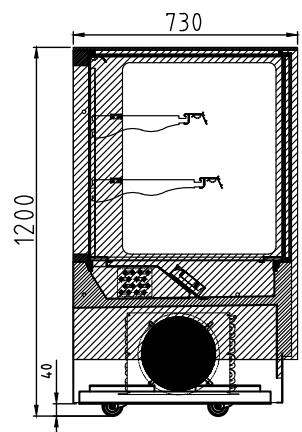
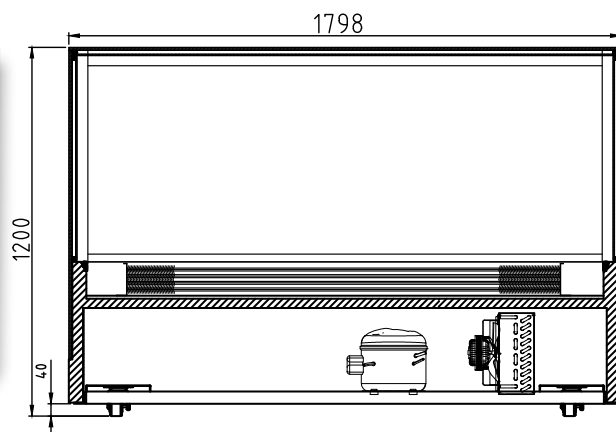
GAN-1200RF2



GAN-1500RF2



GAN-1800RF2



Code	GEMS Star Rating	Litre	Dimensions (WxDxH mm)	Weight (kg)	Temperature Range °C	Ambient/ RH%	Voltage	Power (W/A)
GAN-900RF2	8	380	900x730x1200	235	+2 to +8	32/60	240	400/10
GAN-1200RF2	8	515	1200x730x1200	275	+2 to +8	32/60	240	450/10
GAN-1500RF2	6	650	1500x730x1200	310	+2 to +8	32/60	240	550/10
GAN-1800RF2	6	785	1800x730x1200	350	+2 to +8	32/60	240	750/10

Allow 100mm clearance for installation, all vents must be left clear. Prices and specifications are subject to change without notice. Pictures are for illustrative purpose and final product may differ