

## SELF-SERVE DROP IN DISPLAYS

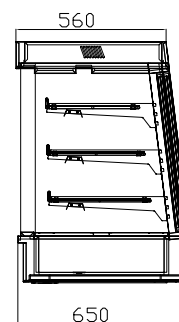
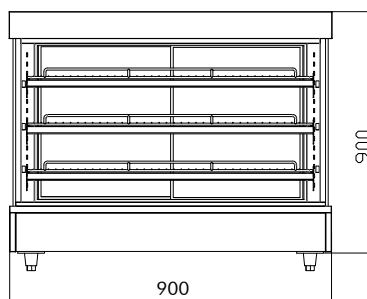
- Stainless steel
- LED lighting in chilled model
- Three display levels
- Self evaporating drainage
- Digital temp. control & read-out
- Danfoss compressor
- Cast aluminium door frame
- Double glazed
- Sliding front and rear glass doors
- Ambient 38°C & 50% RH

**ON DEMAND ITEM**

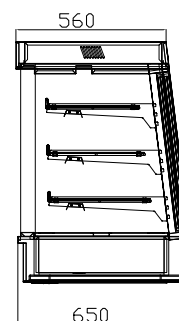
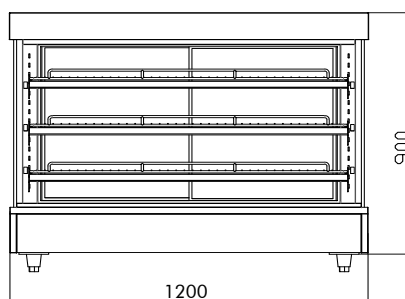


Custom made bench with your logo available

SCHT9



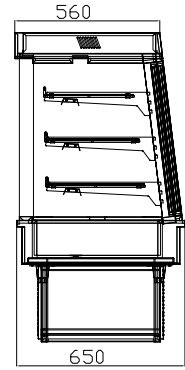
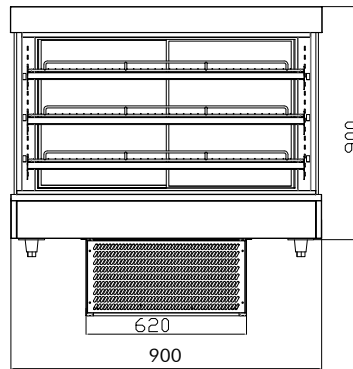
SCHT12



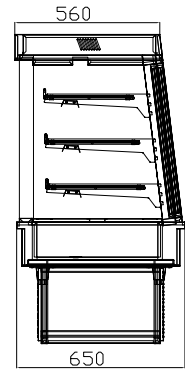
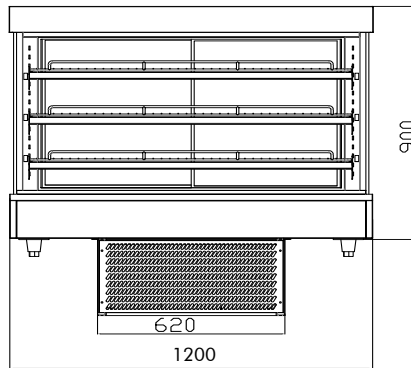
Code	Dimensions (WxDxH mm)	Weight (kg)	Temperature Range °C	Ambient/ RH%	Voltage	Power (W/A)
<b>Chilled Displays</b>						
SCRF9	900x650x900+290	150	+2 to +8	38/50	240	720/10
SCRF12	1200x650x900+290	180	+2 to +8	38/50	240	930/10
SCRF15	1500x650x900+290	210	+2 to +8	38/50	240	1050/10
SCRF18	1800x650x900+290	240	+2 to +8	38/50	240	1240/10
<b>Heated Displays</b>						
SCHT9	900x650x900	140	+30 to +85	—	240	1170/10
SCHT12	1200x650x900	170	+30 to +85	—	240	1470/10

Allow 100mm clearance for installation, all vents must be left clear. Heated cabinets are for hot food holding only, not designed to heat product. Prices and specifications are subject to change without notice. Pictures are for illustrative purpose and final product may differ

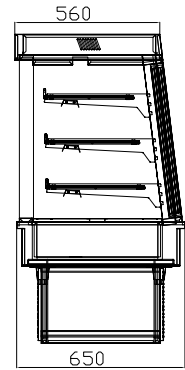
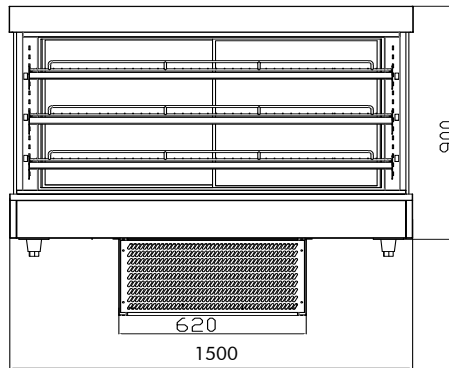
SCRF9



SCRF12



SCRF15



SCRF18

