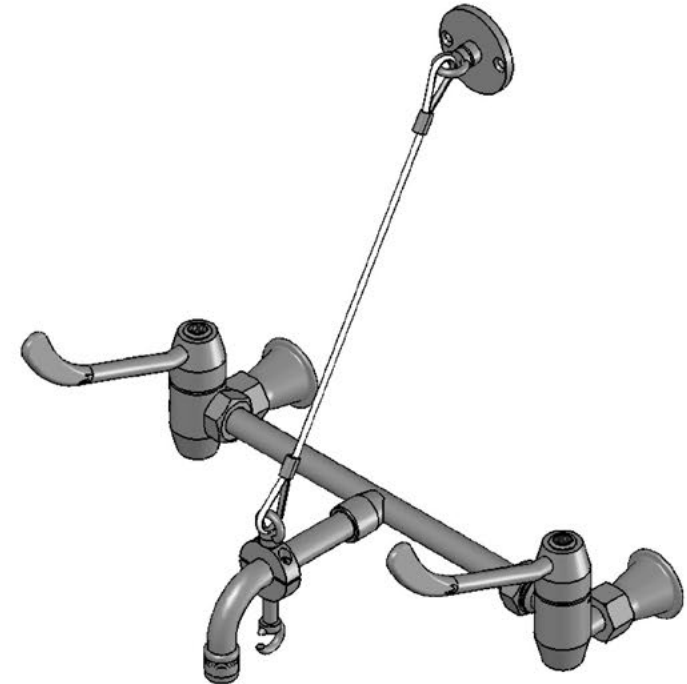
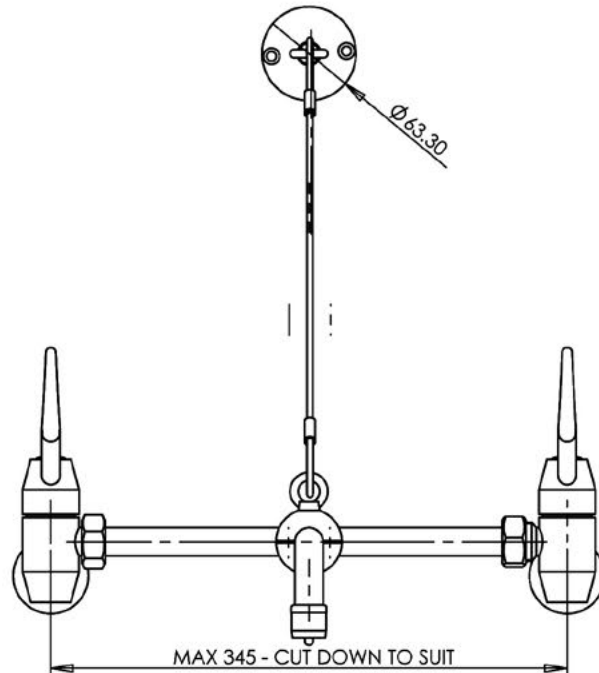
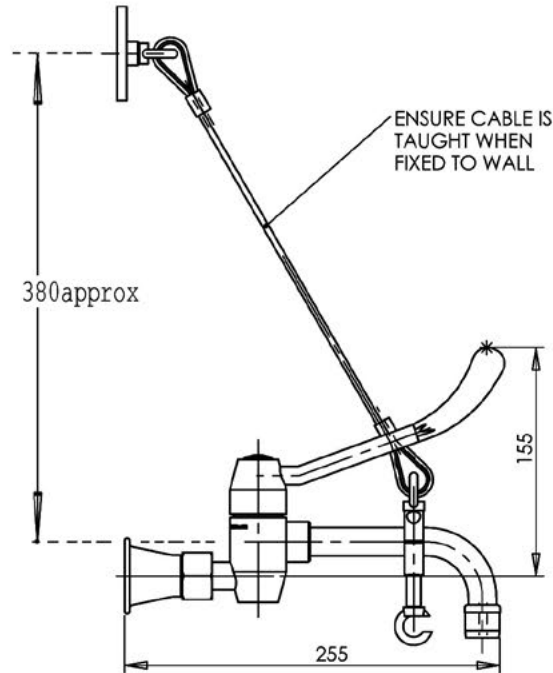
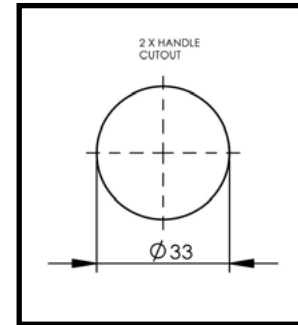
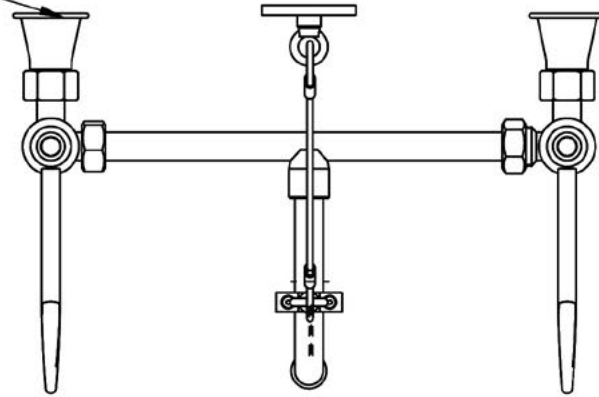


1/2" BSP INLETS



Y1836

FSM (FOOD SERVICE MACHINERY PTY. LTD.)
HEAD OFFICE: UNIT E6, 63-85 TURNER STREET,
PORT MELBOURNE, VIC. 3207 AUSTRALIA
T: +61 3 8645 2555 F: +61 3 8645 2565
E: sales@fsm-pl.com.au W: www.fsm-pl.com.au

SYDNEY OFFICE:
UNIT 26, 7-9 PERCY STREET,
AUBURN, NSW 2144 AUSTRALIA
T: +61 2 8737 4666 F: +61 2 8737 4646
E: sales@fsm-pl.com.au W: www.fsm-pl.com.au

QUEENSLAND:
T: 0400 099 992
E: sales@fsm-pl.com.au
W: www.fsm-pl.com.au