

TWT-67-HC

 Deep Worktop Counter Refrigerator, 2 Solid Swing Doors


Dimensions		Build		Technical	
External Width (mm)	1709	Door Description	2 Solid Swing Doors	Temperature Holding	0.5 : 3.3°C
External Depth (mm)	823	Exterior Construction	Stainless steel front & countertop, aluminium sides & rear	Refrigerant	R290
External Height (mm)	1004	Interior Construction	Clear coated aluminium, stainless steel base	Voltage / Frequency / Phase	220-240V/50-60Hz/1
Exclusions	Depth does not include 26 mm for rear bumpers.	Air Intake Position	Front	Amps	1.3
Net Volume (Litres)	484	Ventilation Position	Front	Wattage	299
Gross Volume (Litres)	583	Clearance Required	Zero back and sides	Climate Class	5
Supplied Shelves	4	Cord Length (Meters)	2.13	Operating Statement	Heavy Duty: This appliance is intended for use in ambient temperatures up to 40°C.
Shelf Size (L x D mm)	601 x 712	Standard w/ Locks	Not standard (SPEC3 option)	Testing Standard	EN 16825
Internal Net Height (mm)	550			EEC	A
Unpackaged Weight (kg)	180			EEL	24.1
Packaged Weight (kg)	191			kWh/24hr	2
Packaged Dimensions (W x D x H mm)	1880 x 966 x 1245			kWh/Annum	729
Supplied Supports	ø 127 mm castors (158 mm height)			Defrost Type	Auto



Specifications subject to change without notice.
 Technical data above related to energy use based on testing of 50Hz or Dual Frequency models
 Chart dimensions rounded up to the next whole millimeter (inches rounded up to the 1/8")

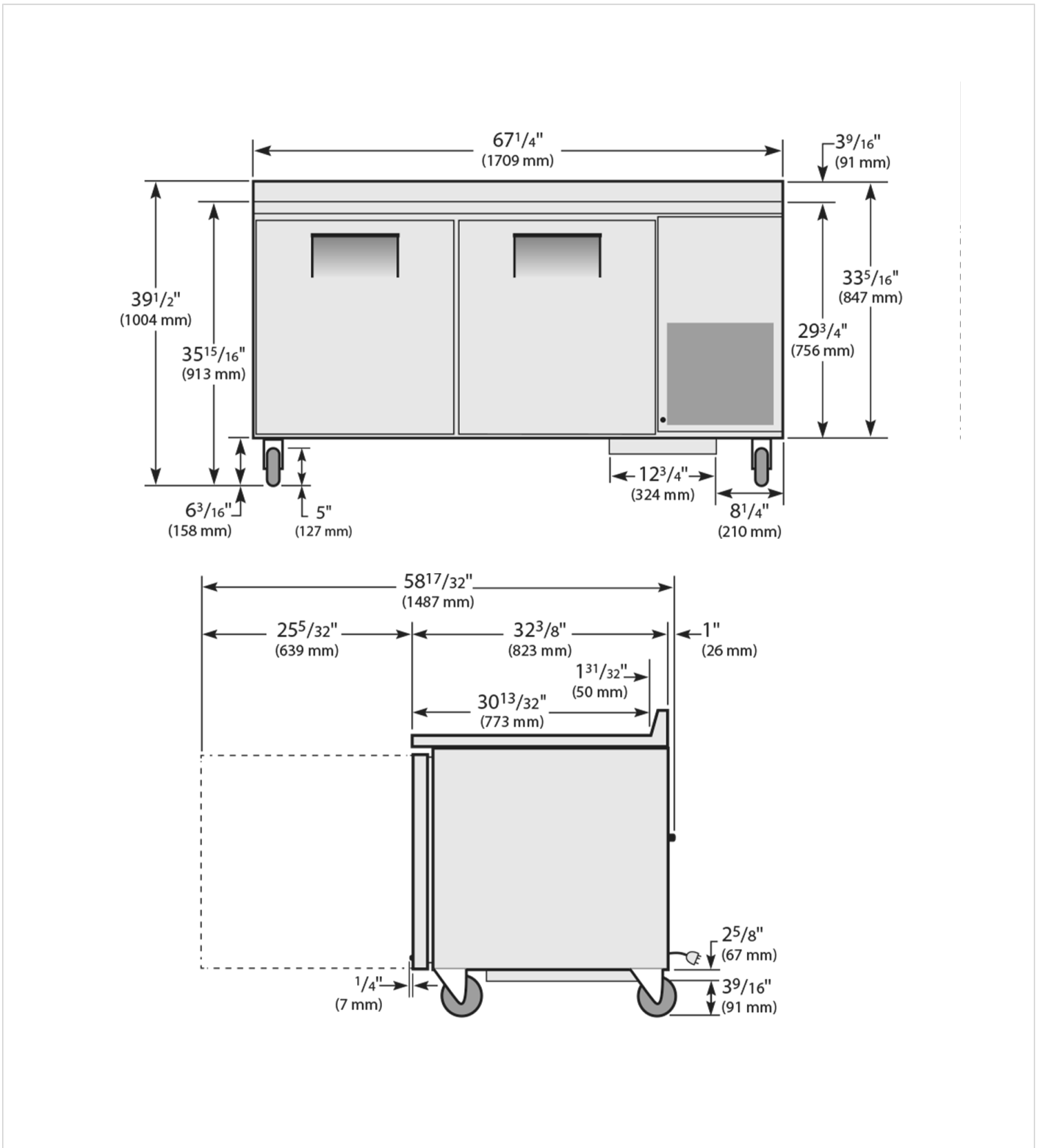
UK & Ireland [0800 783 2049](tel:08007832049)
 EMEA [+41 61 563 07 05](tel:+41615630705)
 Australia [+61 2 9619 9999](tel:+61296199999)

TFIUK@truemfg.com
TrueCHCustomerService@truemfg.com
TrueRefAus@truemfg.com



TWT-67-HC

🇺🇸 Deep Worktop Counter Refrigerator, 2 Solid Swing Doors



WARRANTY PARTS, COMPRESSOR AND LABOUR **5 YEARS*** **natural refrigerant.**

Specifications subject to change without notice. Technical data above related to energy use based on testing of 50Hz or Dual Frequency models Chart dimensions rounded up to the next whole millimeter (inches rounded up to the 1/8")

UK & Ireland [0800 783 2049](tel:08007832049)
 EMEA [+41 61 563 07 05](tel:+41615630705)
 Australia [+61 2 9619 9999](tel:+61296199999)

TFIUK@truemfg.com
TrueCHCustomerService@truemfg.com
TrueRefAus@truemfg.com

