

TWT-27D-2-HC

 Worktop Counter Refrigerator, 2 Drawers


| Dimensions | | Build | | Technical | |
|------------------------------------|--|-----------------------|--|-----------------------------|--|
| External Width (mm) | 702 | Number of Drawers | 2 | Temperature Holding | 0.5 : 3.3°C |
| External Depth (mm) | 766 | Exterior Construction | Stainless steel front & countertop, aluminium sides & rear | Refrigerant | R290 |
| External Height (mm) | 1004 | Interior Construction | Clear coated aluminium, stainless steel base | Voltage / Frequency / Phase | 220-240V/50-60Hz/1 |
| Exclusions | Depth does not include 26 mm for rear bumpers. | Air Intake Position | Front | Amps | 0.8 |
| Net Volume (Litres) | 39 | Ventilation Position | Front | Wattage | 184 |
| Gross Volume (Litres) | 184 | Clearance Required | Zero back and sides | Climate Class | 5 |
| Per Drawer Capacity (max depth mm) | 1x 1/1 GN (150) | Cord Length (Meters) | 2.13 | Operating Statement | Heavy Duty: This appliance is intended for use in ambient temperatures up to 40°C. |
| Unpackaged Weight (kg) | 87 | Standard w/ Locks | Standard | Testing Standard | EN 16825 |
| Packaged Weight (kg) | 98 | | | EEC | A |
| Packaged Dimensions (W x D x H mm) | 769 x 839 x 1207 | | | EI | 23.9 |
| Supplied Supports | ø 127 mm castors (158 mm height) | | | kWh/24hr | 1.24 |
| | | | | kWh/Annum | 451 |
| | | | | Defrost Type | Auto |



Specifications subject to change without notice.
 Technical data above related to energy use based on testing of 50Hz or Dual Frequency models
 Chart dimensions rounded up to the next whole millimeter (inches rounded up to the 1/8")

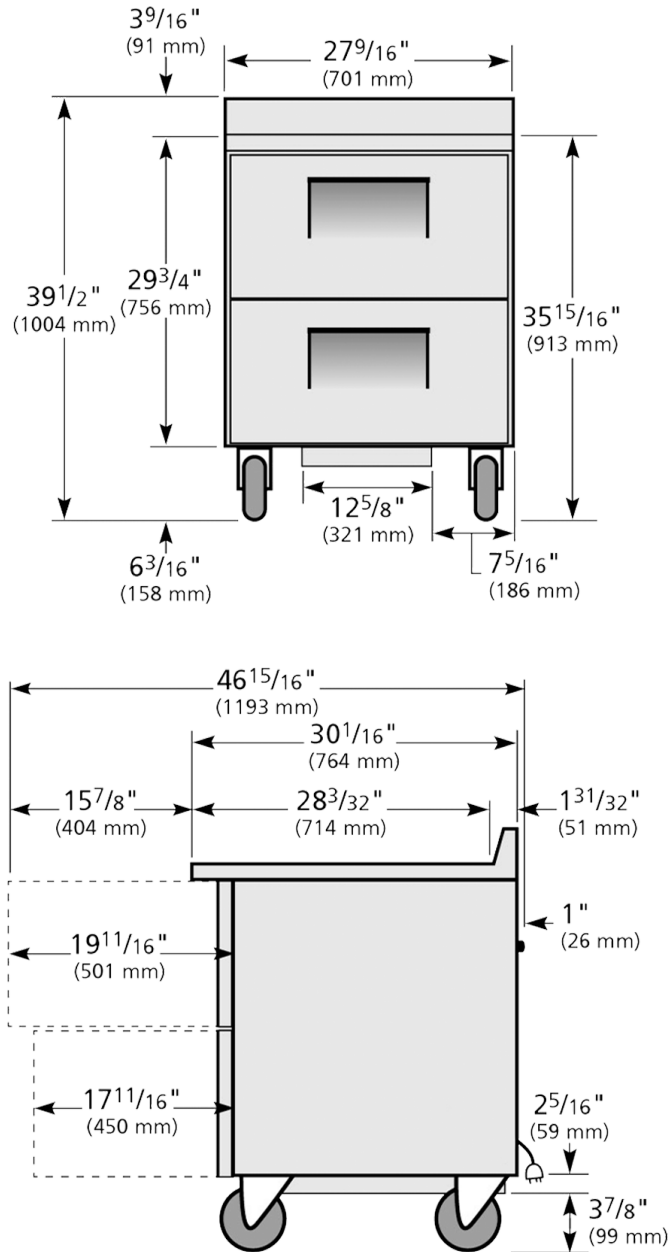
UK & Ireland [0800 783 2049](tel:08007832049)
 EMEA [+41 61 563 07 05](tel:+41615630705)
 Australia [+61 2 9619 9999](tel:+61296199999)

TFIUK@truemfg.com
TrueCHCustomerService@truemfg.com
TrueRefAus@truemfg.com



TWT-27D-2-HC

 Worktop Counter Refrigerator, 2 Drawers



WARRANTY
PARTS, COMPRESSOR AND LABOUR
5 YEARS*

Specifications subject to change without notice.
Technical data above related to energy use based on testing of 50Hz or Dual Frequency models
Chart dimensions rounded up to the next whole millimeter (inches rounded up to the 1/8")

UK & Ireland [0800 783 2049](tel:08007832049)
EMEA [+41 61 563 07 05](tel:+41615630705)
Australia [+61 2 9619 9999](tel:+61296199999)

TFIUK@truemfg.com
TrueCHCustomerService@truemfg.com
TrueRefAus@truemfg.com

