


TUC-48F-HC

 Undercounter Foodservice Freezer, 2 Solid Swing Doors


Dimensions		Build		Technical	
External Width (mm)	1229	Door Description	2 Solid Swing Doors	Temperature Holding	-23°C
External Depth (mm)	766	Exterior Construction	Stainless steel front & countertop, aluminium sides & rear	Refrigerant	R290
External Height (mm)	839	Interior Construction	Clear coated aluminium, stainless steel base	Voltage / Frequency / Phase	220-240V/50Hz/1
Exclusions	Depth does not include 26 mm for rear bumpers.	Air Intake Position	Front	Amps	1.8
Net Volume (Litres)	278	Ventilation Position	Front	60Hz model Amps	2.7
Gross Volume (Litres)	340	Clearance Required	Zero back and sides	Wattage	414
Supplied Shelves	4	Cord Length (Meters)	2.13	60Hz model Wattage	621
Shelf Size (L x D mm)	Two 547 x 514 + Two 547 x 349	Standard w/ Locks	Standard	Climate Class	4
Internal Net Height (mm)	630			Operating Statement	Regular Duty: This appliance is intended for use in ambient temperatures up to 30°C.
Unpackaged Weight (kg)	114			Testing Standard	EN 16825
Packaged Weight (kg)	125			EEC	D
Packaged Dimensions (W x D x H mm)	1296 x 839 x 1207			EEL	50.8
Supplied Supports	ø 64 mm castors (83 mm height) (reduced height option available, totals 810 mm)			kWh/24hr	5.57
				kWh/Annum	2036
				Defrost Type	Auto


WARRANTY
PARTS, COMPRESSOR AND LABOUR
5 YEARS*

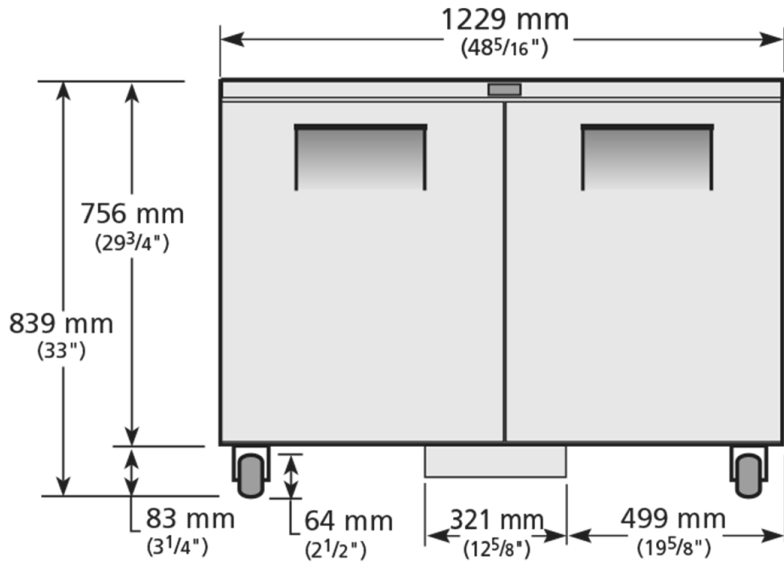

Specifications subject to change without notice.

 Technical data above related to energy use based on testing of 50Hz or Dual Frequency models
 Chart dimensions rounded up to the next whole millimeter (inches rounded up to the 1/8")

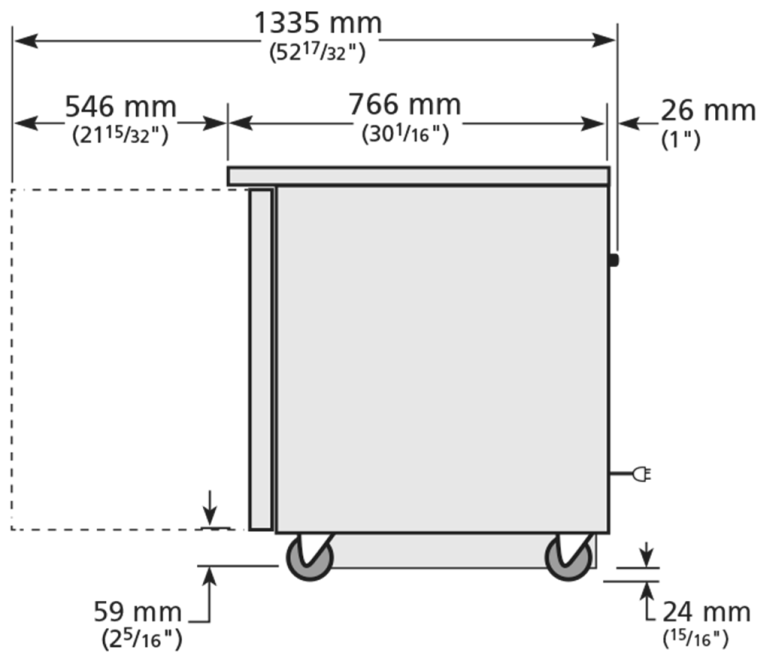
 UK & Ireland **0800 783 2049**
 EMEA **+41 61 563 07 05**
 Australia **+61 2 9619 9999**
TFIUK@truemfg.com
TrueCHCustomerService@truemfg.com
TrueRefAus@truemfg.com


TUC-48F-HC

Undercounter Foodservice Freezer, 2 Solid Swing Doors



ELEVATION



Specifications subject to change without notice.
Technical data above related to energy use based on testing of 50Hz or Dual Frequency models
Chart dimensions rounded up to the next whole millimeter (inches rounded up to the 1/8")

UK & Ireland [0800 783 2049](tel:08007832049)
EMEA [+41 61 563 07 05](tel:+41615630705)
Australia [+61 2 9619 9999](tel:+61296199999)

TFIUK@truemfg.com
TrueCHCustomerService@truemfg.com
TrueRefAus@truemfg.com

