

# TUC-27G-HC~FGD01

 Undercounter Foodservice Refrigerator, 1 Glass Swing Door


Dimensions		Build		Technical	
External Width (mm)	702	Door Description	1 Full Glass Swing Door	Temperature Holding	0.5 : 3.3°C
External Depth (mm)	766	Door Opening	Right (standard) or Left.	Refrigerant	R290
External Height (mm)	839	Exterior Construction	Stainless steel front & countertop, aluminium sides & rear	Voltage / Frequency / Phase	220-240V/50-60Hz/1
Exclusions	Depth does not include 26mm for rear bumpers and 42mm for door handle.	Interior Construction	Clear coated aluminium, stainless steel base	Amps	0.8
Net Volume (Litres)	94	Air Intake Position	Front	Wattage	184
Gross Volume (Litres)	158	Ventilation Position	Front	Temperature Class	M1
Display Area (m <sup>2</sup> )	0.32	Clearance Required	Zero back and sides	Operating Statement	Heavy Duty: This appliance is intended for use in ambient temperatures up to 40°C.
Supplied Shelves	2	Cord Length (Meters)	2.13	Testing Standard	EN 23953
Shelf Size (L x D mm)	One 590 x 488 + One 590 x 349	Internal Lighting	LED	EEC	A
Internal Net Height (mm)	630	Standard w/ Locks	Standard	EEL	8.3
Unpackaged Weight (kg)	82			kWh/24hr	1.25
Packaged Weight (kg)	93			kWh/Annum	458
Packaged Dimensions (W x D x H mm)	769 x 839 x 1207			Defrost Type	Auto
Supplied Supports	ø 64 mm castors (83 mm height) (reduced height option available, totals 810 mm)				



Specifications subject to change without notice.  
 Technical data above related to energy use based on testing of 50Hz or Dual Frequency models  
 Chart dimensions rounded up to the next whole millimeter (inches rounded up to the 1/8")

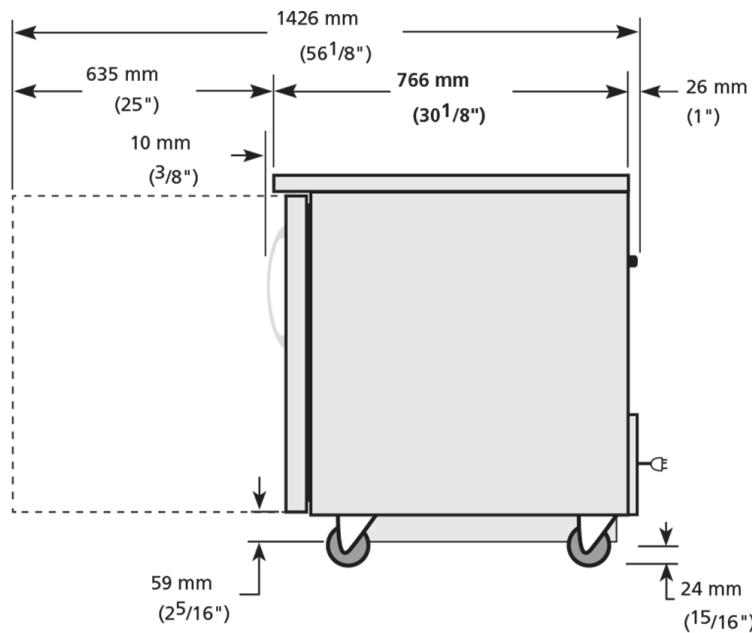
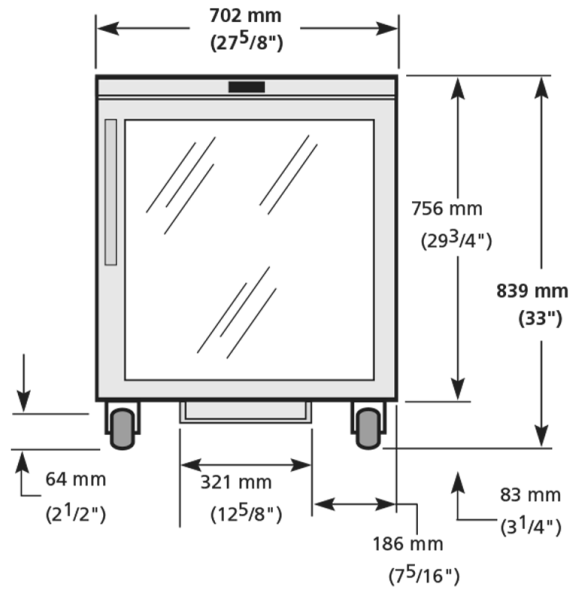
UK & Ireland [0800 783 2049](tel:08007832049)  
 EMEA [+41 61 563 07 05](tel:+41615630705)  
 Australia [+61 2 9619 9999](tel:+61296199999)

[TFIUK@truemfg.com](mailto:TFIUK@truemfg.com)  
[TrueCHCustomerService@truemfg.com](mailto:TrueCHCustomerService@truemfg.com)  
[TrueRefAus@truemfg.com](mailto:TrueRefAus@truemfg.com)



# TUC-27G-HC~FGD01

Undercounter Foodservice Refrigerator, 1 Glass Swing Door



Specifications subject to change without notice.  
Technical data above related to energy use based on testing of 50Hz or Dual Frequency models  
Chart dimensions rounded up to the next whole millimeter (inches rounded up to the 1/8")

UK & Ireland [0800 783 2049](tel:08007832049)  
EMEA [+41 61 563 07 05](tel:+41615630705)  
Australia [+61 2 9619 9999](tel:+61296199999)

[TFIUK@truemfg.com](mailto:TFIUK@truemfg.com)  
[TrueCHCustomerService@truemfg.com](mailto:TrueCHCustomerService@truemfg.com)  
[TrueRefAus@truemfg.com](mailto:TrueRefAus@truemfg.com)

