


# TSSU-60-16D-4-HC

 Prep Table, 16x 1/6 Top Pans, 4 Drawers



Dimensions		Build		Technical	
External Width (mm)	1534	Number of Drawers	4	Temperature Holding	0.5 : 5°C
External Depth (mm)	766	Exterior Construction	Stainless steel front, top & hood, aluminium sides and rear	Refrigerant	R290
External Height (mm)	1093	Interior Construction	Clear coated aluminium, stainless steel base	Voltage / Frequency / Phase	220-240V/50-60Hz/1
Exclusions	Depth does not include 26 mm for rear bumpers. Height with lid closed.	Air Intake Position	Front	Amps	2.2
Gross Volume (Litres)	439	Ventilation Position	Front	Wattage	506.00000000000006
Top Pans Supplied (max depth mm)	16x 1/6 GN (100)	Clearance Required	Zero back and sides	Defrost Type	Auto
Per Drawer Capacity (max depth mm)	1x 1/1 GN (150)	Cord Length (Meters)	3.35		
Unpackaged Weight (kg)	180	Standard w/ Locks	Not standard (SPEC3 option)		
Packaged Weight (kg)	191				
Packaged Dimensions (W x D x H mm)	1601 x 832 x 1270				
Cutting Board (L x D mm)	1534 x 299				
Supplied Supports	ø 127 mm castors (158 mm height)				



Specifications subject to change without notice.  
 Technical data above related to energy use based on testing of 50Hz or Dual Frequency models  
 Chart dimensions rounded up to the next whole millimeter (inches rounded up to the 1/8")

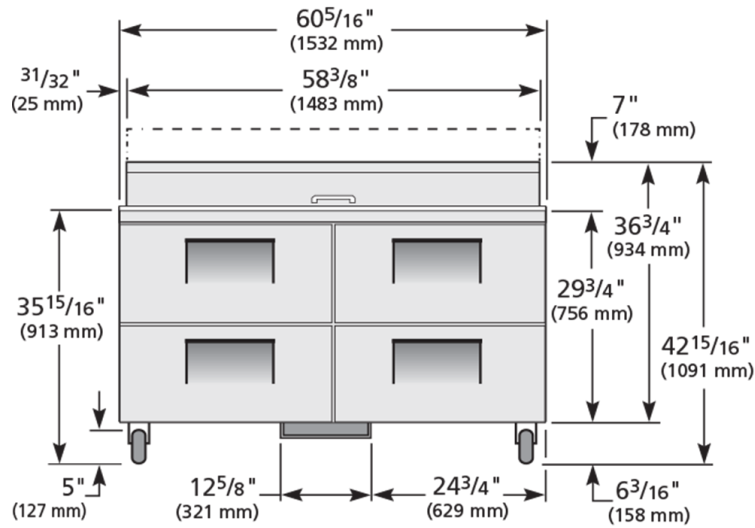
UK & Ireland [0800 783 2049](tel:08007832049)  
 EMEA [+41 61 563 07 05](tel:+41615630705)  
 Australia [+61 2 9619 9999](tel:+61296199999)

[TFIUK@truemfg.com](mailto:TFIUK@truemfg.com)  
[TrueCHCustomerService@truemfg.com](mailto:TrueCHCustomerService@truemfg.com)  
[TrueRefAus@truemfg.com](mailto:TrueRefAus@truemfg.com)

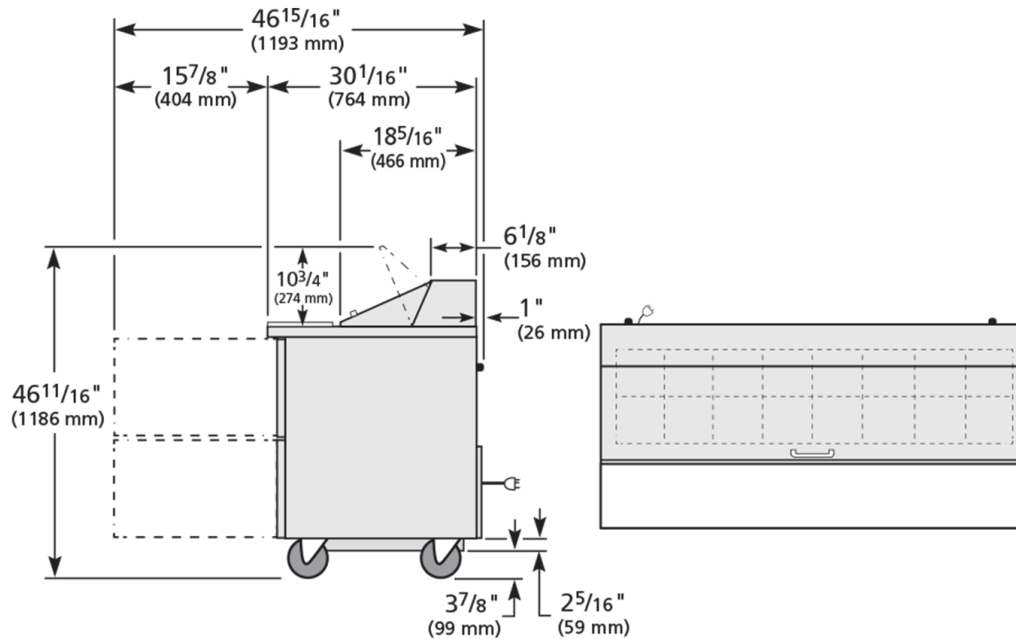


# TSSU-60-16D-4-HC

Prep Table, 16x 1/6 Top Pans, 4 Drawers



ELEVATION



RIGHT VIEW

PAN LAYOUT



Specifications subject to change without notice. Technical data above related to energy use based on testing of 50Hz or Dual Frequency models Chart dimensions rounded up to the next whole millimeter (inches rounded up to the 1/8")

UK & Ireland 0800 783 2049  
 EMEA +41 61 563 07 05  
 Australia +61 2 9619 9999

TFIUK@truemfg.com  
 TrueCHCustomerService@truemfg.com  
 TrueRefAus@truemfg.com

