


# TSSU-60-16-DS-ST-HC

 "Dual-Sided" Prep Table, 16x 1/6 Top Pans, 2 Solid Swing Doors



Dimensions		Build		Technical	
External Width (mm)	1534	Door Description	2 Solid Swing Doors	Temperature Holding	0.5 : 5°C
External Depth (mm)	985	Exterior Construction	Stainless steel front, top & lids, aluminium sides and rear	Refrigerant	R290
External Height (mm)	956	Interior Construction	Clear coated aluminium, stainless steel base	Voltage / Frequency / Phase	220-240V/50-60Hz/1
Exclusions	Depth does not include 80 mm each side for the two cutting boards. Width does not include 7 mm each side for cutting board brackets.	Air Intake Position	Front	Amps	2.2
Gross Volume (Litres)	439	Ventilation Position	Front	Wattage	506.0000000000006
Supplied Shelves	4	Clearance Required	Zero back and sides	Defrost Type	Auto
Shelf Size (L x D mm)	Two 700 x 546 + Two 700 x 349	Cord Length (Meters)	3.35		
Internal Net Height (mm)	535	Standard w/ Locks	Not standard (SPEC3 option)		
Top Pans Supplied (max depth mm)	16x 1/6 GN (100)				
Unpackaged Weight (kg)	182				
Packaged Weight (kg)	193				
Packaged Dimensions (W x D x H mm)	1601 x 832 x 1270				
Cutting Board (L x D mm)	1534 x 299				
Supplied Supports	∅ 127 mm castors (158 mm height)				



Specifications subject to change without notice.  
Technical data above related to energy use based on testing of 50Hz or Dual Frequency models  
Chart dimensions rounded up to the next whole millimeter (inches rounded up to the 1/8")

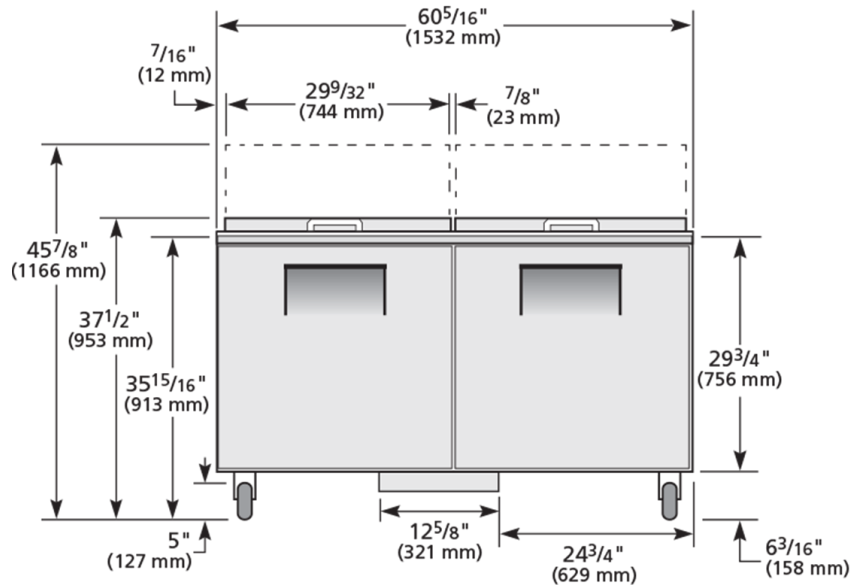
UK & Ireland [0800 783 2049](tel:08007832049)  
EMEA [+41 61 563 07 05](tel:+41615630705)  
Australia [+61 2 9619 9999](tel:+61296199999)

[TFIUK@truemfg.com](mailto:TFIUK@truemfg.com)  
[TrueCHCustomerService@truemfg.com](mailto:TrueCHCustomerService@truemfg.com)  
[TrueRefAus@truemfg.com](mailto:TrueRefAus@truemfg.com)

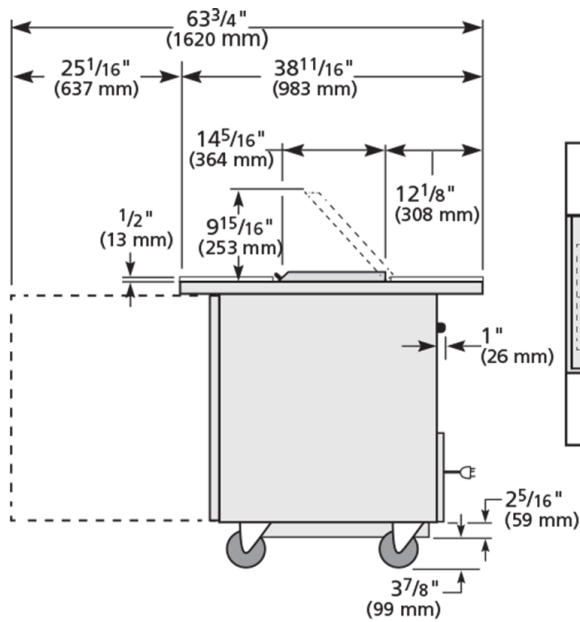


# TSSU-60-16-DS-ST-HC

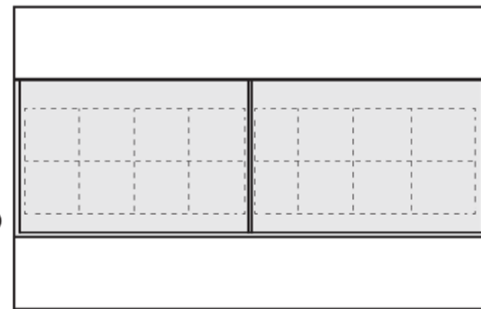
"Dual-Sided" Prep Table, 16x 1/6 Top Pans, 2 Solid Swing Doors



ELEVATION



RIGHT VIEW



PAN LAYOUT



Specifications subject to change without notice. Technical data above related to energy use based on testing of 50Hz or Dual Frequency models Chart dimensions rounded up to the next whole millimeter (inches rounded up to the 1/8")

UK & Ireland [0800 783 2049](tel:08007832049)  
 EMEA [+41 61 563 07 05](tel:+41615630705)  
 Australia [+61 2 9619 9999](tel:+61296199999)

[TFIUK@truemfg.com](mailto:TFIUK@truemfg.com)  
[TrueCHCustomerService@truemfg.com](mailto:TrueCHCustomerService@truemfg.com)  
[TrueRefAus@truemfg.com](mailto:TrueRefAus@truemfg.com)

