


TSSU-60-12-HC

 Prep Table, 12x 1/6 Top Pans, 2 Solid Swing Doors



| Dimensions | | Build | | Technical | |
|------------------------------------|--|-----------------------|---|-----------------------------|--------------------|
| External Width (mm) | 1534 | Door Description | 2 Solid Swing Doors | Temperature Holding | 0.5 : 5°C |
| External Depth (mm) | 766 | Exterior Construction | Stainless steel front, top & hood, aluminium sides and rear | Refrigerant | R290 |
| External Height (mm) | 1093 | Interior Construction | Clear coated aluminium, stainless steel base | Voltage / Frequency / Phase | 220-240V/50-60Hz/1 |
| Exclusions | Depth does not include 26 mm for rear bumpers. Height with lid closed. | Air Intake Position | Front | Amps | 2.2 |
| Gross Volume (Litres) | 439 | Ventilation Position | Front | Wattage | 506.0000000000006 |
| Supplied Shelves | 4 | Clearance Required | Zero back and sides | Defrost Type | Auto |
| Shelf Size (L x D mm) | Two 700 x 546 + Two 700 x 349 | Cord Length (Meters) | 3.35 | | |
| Internal Net Height (mm) | 535 | Standard w/ Locks | Not standard (SPEC3 option) | | |
| Top Pans Supplied (max depth mm) | 12x 1/6 GN (100) | | | | |
| Unpackaged Weight (kg) | 160 | | | | |
| Packaged Weight (kg) | 171 | | | | |
| Packaged Dimensions (W x D x H mm) | 1601 x 832 x 1270 | | | | |
| Cutting Board (L x D mm) | 1534 x 299 | | | | |
| Supplied Supports | ø 127 mm castors (158 mm height) | | | | |



Specifications subject to change without notice.
Technical data above related to energy use based on testing of 50Hz or Dual Frequency models
Chart dimensions rounded up to the next whole millimeter (inches rounded up to the 1/8")

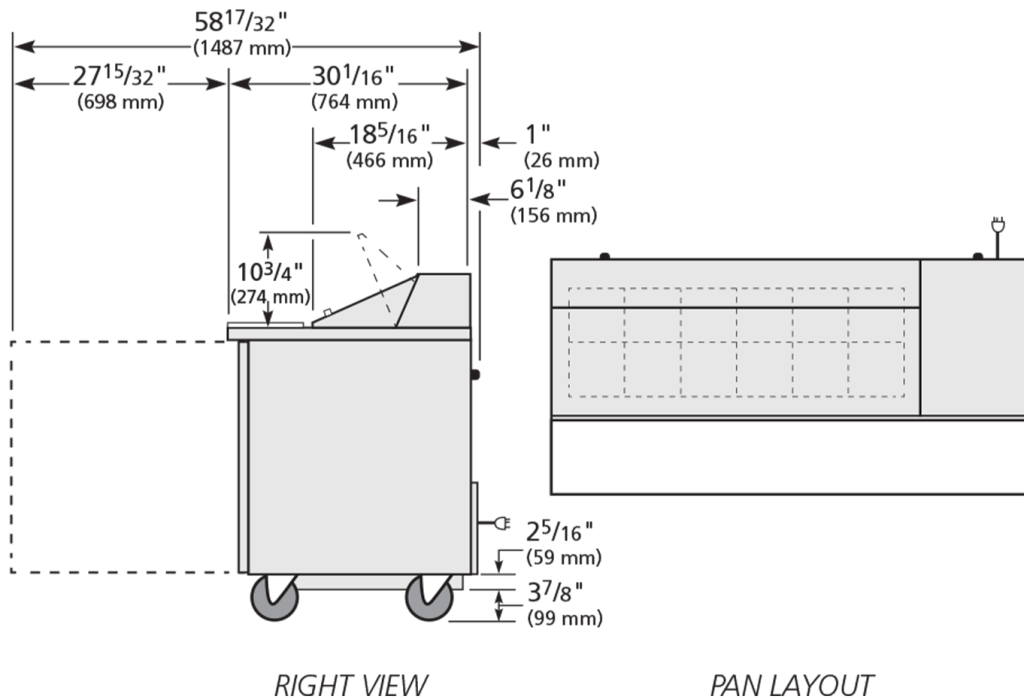
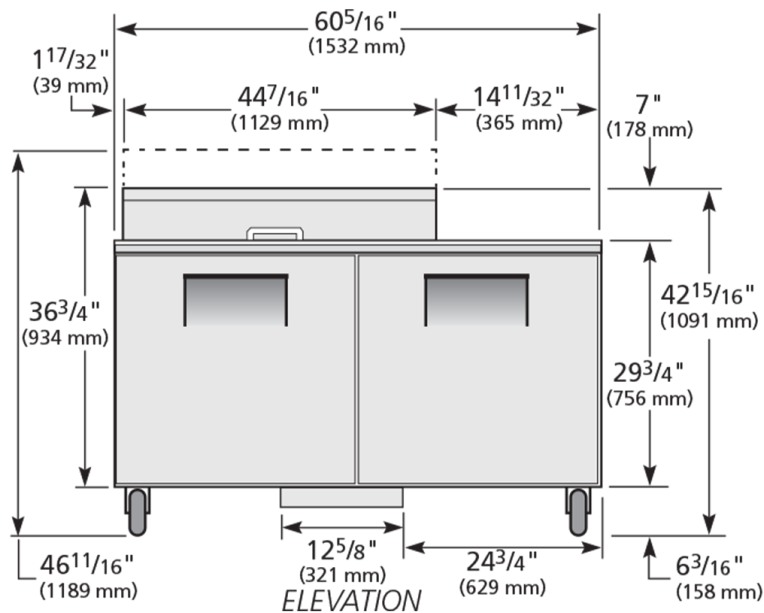
UK & Ireland [0800 783 2049](tel:08007832049)
EMEA [+41 61 563 07 05](tel:+41615630705)
Australia [+61 2 9619 9999](tel:+61296199999)

TFIUK@truemfg.com
TrueCHCustomerService@truemfg.com
TrueRefAus@truemfg.com



TSSU-60-12-HC

Prep Table, 12x 1/6 Top Pans, 2 Solid Swing Doors



WARRANTY 5 YEARS*
PARTS, COMPRESSOR AND LABOUR
natural refrigerant.

Specifications subject to change without notice.
Technical data above related to energy use based on testing of 50Hz or Dual Frequency models
Chart dimensions rounded up to the next whole millimeter (inches rounded up to the 1/8")

UK & Ireland [0800 783 2049](tel:08007832049)
EMEA [+41 61 563 07 05](tel:+41615630705)
Australia [+61 2 9619 9999](tel:+61296199999)

TFIUK@truemfg.com
TrueCHCustomerService@truemfg.com
TrueRefAus@truemfg.com

