

Upright Cabinets

TGN-2F-2S

 2/1 GN Upright Foodservice Freezer, 2 Full Solid Swing Doors



Dimensions		Build		Technical	
External Width (mm)	1460	Door Description	2 Solid Swing Doors	Temperature Holding	-23°C
External Depth (mm)	858	Exterior Construction	Stainless steel front, aluminium sides & rear	Refrigerant	R290
External Height (mm)	2079	Interior Construction	Clear coated aluminium, stainless steel base	Voltage / Frequency / Phase	220-240V/50Hz/1
Exclusions	Depth does not include 46 mm for door handle or 13 mm for rear access panel.	Air Intake Position	Front	Amps	3.5
Net Volume (Litres)	883	Ventilation Position	Rear	60Hz model Amps	3.2
Gross Volume (Litres)	1440	Clearance Required	26 mm rear, zero sides	Wattage	805
Supplied Shelves	6	Cord Length (Meters)	2.74	60Hz model Wattage	736
Shelf Size (L x D mm)	530 x 650	Internal Lighting	LED	Climate Class	5
Internal Net Height (mm)	1350	Standard w/ Locks	standard	Operating Statement	Heavy Duty: This appliance is intended for use in ambient temperatures up to 40°C.
Unpackaged Weight (kg)	189			Testing Standard	EN 16825
Packaged Weight (kg)	200			EEC	C
Packaged Dimensions (W x D x H mm)	2032 x 813 x 2134			EEL	43.3
Supplied Supports	ø 64 mm castors (83 mm height)			kWh/24hr	6.90
				kWh/Annum	2519
				Defrost Type	Auto




WARRANTY PARTS, COMPRESSOR AND LABOUR **5 YEARS**

natural refrigerant.

Specifications subject to change without notice. Technical data above related to energy use based on testing of 50Hz or Dual Frequency models Chart dimensions rounded up to the next whole millimeter (inches rounded up to the 1/8")

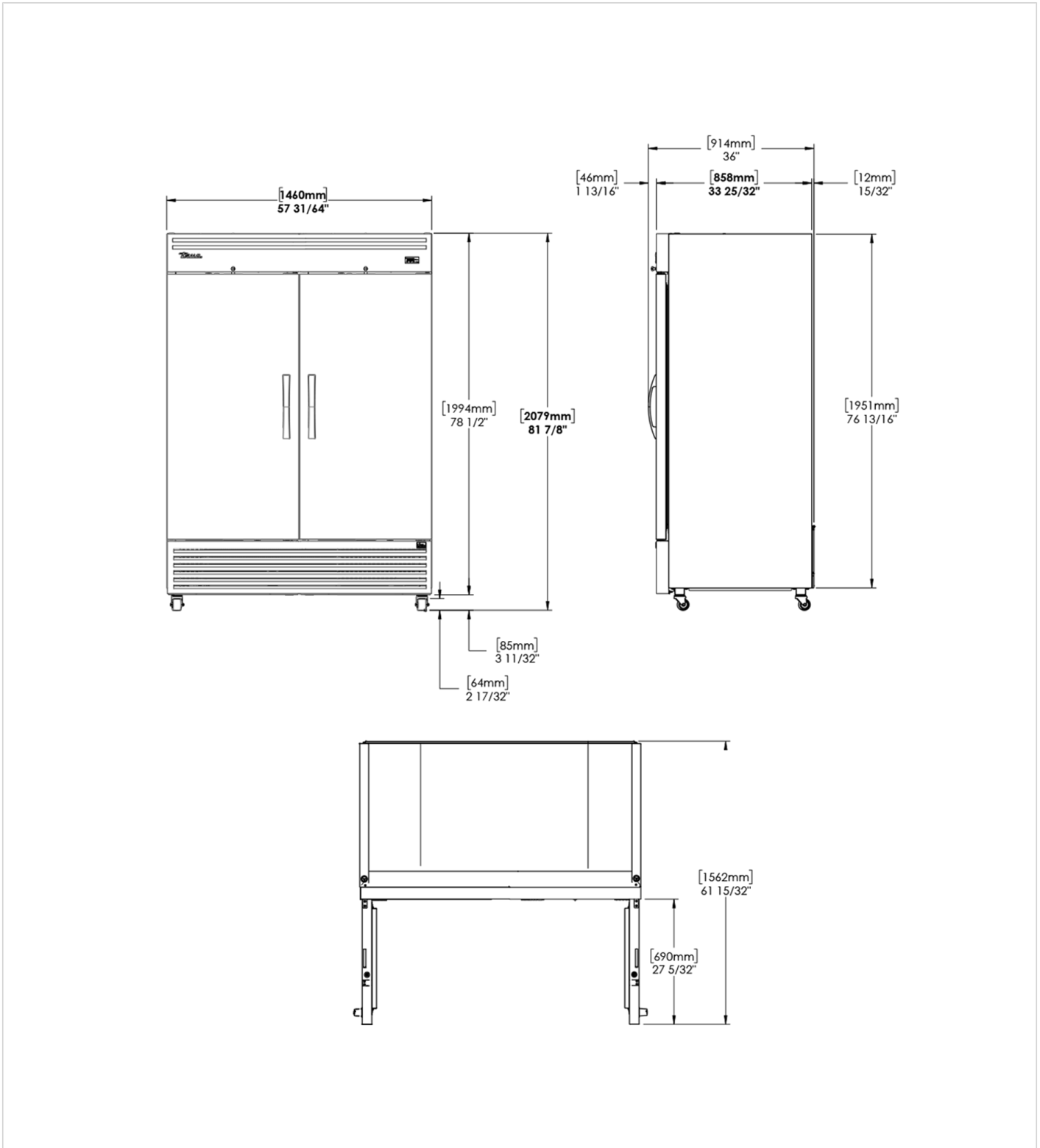
UK & Ireland **0800 783 2049**
 EMEA **+41 61 563 07 05**
 Australia **+61 2 9619 9999**

TFIUK@truemfg.com
TrueCHCustomerService@truemfg.com
TrueRefAus@truemfg.com



TGN-2F-2S

 2/1 GN Upright Foodservice Freezer, 2 Full Solid Swing Doors



WARRANTY PARTS, COMPRESSOR AND LABOUR **5 YEARS**  natural refrigerant.

Specifications subject to change without notice.
 Technical data above related to energy use based on testing of 50Hz or Dual Frequency models
 Chart dimensions rounded up to the next whole millimeter (inches rounded up to the 1/8")

UK & Ireland [0800 783 2049](tel:08007832049)
 EMEA [+41 61 563 07 05](tel:+41615630705)
 Australia [+61 2 9619 9999](tel:+61296199999)

TFIUK@truemfg.com
TrueCHCustomerService@truemfg.com
TrueRefAus@truemfg.com

