


TFP-72-30M-D-6-HC

 Prep Table, 30x 1/6 Top Pans, 6 Drawers



Dimensions		Build		Technical	
External Width (mm)	1832	Number of Drawers	6	Temperature Holding	0.5 : 5°C
External Depth (mm)	801	Exterior Construction	Stainless steel front, top & hood, aluminium sides and rear	Refrigerant	R290
External Height (mm)	1181	Interior Construction	Clear coated aluminium, stainless steel base	Voltage / Frequency / Phase	220-240V/50Hz/1
Exclusions	Depth does not include 51 mm for cutting board overhang. Height with lid closed.	Air Intake Position	Front	Amps	3.6
Gross Volume (Litres)	708	Ventilation Position	Front	Wattage	828
Top Pans Supplied (max depth mm)	30x 1/6 GN (100)	Clearance Required	Zero back and sides	Defrost Type	Auto
Per Drawer Capacity (max depth mm)	1x 1/1 + 3x 1/9 GN (150)	Cord Length (Meters)	2.13		
Unpackaged Weight (kg)	280	Standard w/ Locks	Not standard (SPEC3 option)		
Packaged Weight (kg)	291				
Packaged Dimensions (W x D x H mm)	2032 x 864 x 1385				
Cutting Board (L x D mm)	1832 x 204				
Supplied Supports	Built-in recessed castors (19 mm clearance)				



Specifications subject to change without notice.
 Technical data above related to energy use based on testing of 50Hz or Dual Frequency models
 Chart dimensions rounded up to the next whole millimeter (inches rounded up to the 1/8")

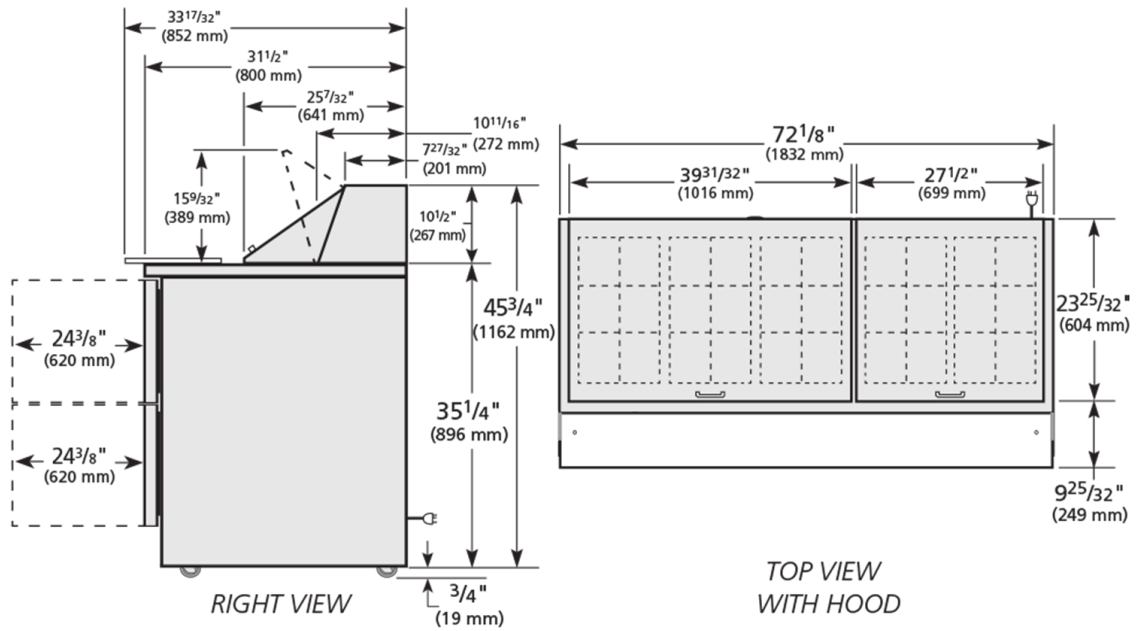
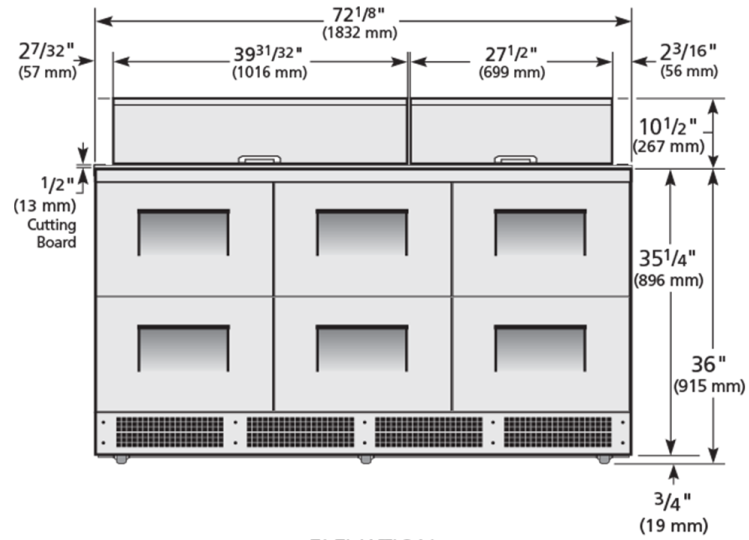
UK & Ireland [0800 783 2049](tel:08007832049)
 EMEA [+41 61 563 07 05](tel:+41615630705)
 Australia [+61 2 9619 9999](tel:+61296199999)

TFIUK@truemfg.com
TrueCHCustomerService@truemfg.com
TrueRefAus@truemfg.com



TFP-72-30M-D-6-HC

Prep Table, 30x 1/6 Top Pans, 6 Drawers



WARRANTY PARTS, COMPRESSOR AND LABOUR 5 YEARS * **natural refrigerant.**

Specifications subject to change without notice. Technical data above related to energy use based on testing of 50Hz or Dual Frequency models Chart dimensions rounded up to the next whole millimeter (inches rounded up to the 1/8")

UK & Ireland **0800 783 2049**
 EMEA **+41 61 563 07 05**
 Australia **+61 2 9619 9999**

TfIUK@truemfg.com
TrueCHCustomerService@truemfg.com
TrueRefAus@truemfg.com

