


TFP-72-30M-D-2-HC

 Prep Table, 30x 1/6 Top Pans, 2 Drawers + 2 Solid Swing Doors



Dimensions		Build		Technical	
External Width (mm)	1832	Door Description	2 Solid Swing Doors	Temperature Holding	0.5 : 5°C
External Depth (mm)	801	Number of Drawers	2	Refrigerant	R290
External Height (mm)	1181	Drawers location	Left (standard) or Centre/Right (option)	Voltage / Frequency / Phase	220-240V/50Hz/1
Exclusions	Depth does not include 51 mm for cutting board overhang. Height with lid closed.	Exterior Construction	Stainless steel front, top & hood, aluminium sides and rear	Amps	3.6
Gross Volume (Litres)	708	Interior Construction	Clear coated aluminium, stainless steel base	Wattage	828
Supplied Shelves	4	Air Intake Position	Front	Defrost Type	Auto
Shelf Size (L x D mm)	Left & Right: 547 x 508. Central: 585 x 508	Ventilation Position	Front		
Internal Net Height (mm)	500	Clearance Required	Zero back and sides		
Top Pans Supplied (max depth mm)	30x 1/6 GN (100)	Cord Length (Meters)	2.13		
Per Drawer Capacity (max depth mm)	1x 1/1 + 3x 1/9 GN (150)	Standard w/ Locks	Not standard (SPEC3 option)		
Unpackaged Weight (kg)	280				
Packaged Weight (kg)	291				
Packaged Dimensions (W x D x H mm)	2032 x 864 x 1385				
Cutting Board (L x D mm)	1832 x 204				
Supplied Supports	Built-in recessed castors (19 mm clearance)				



Specifications subject to change without notice.
 Technical data above related to energy use based on testing of 50Hz or Dual Frequency models
 Chart dimensions rounded up to the next whole millimeter (inches rounded up to the 1/8")

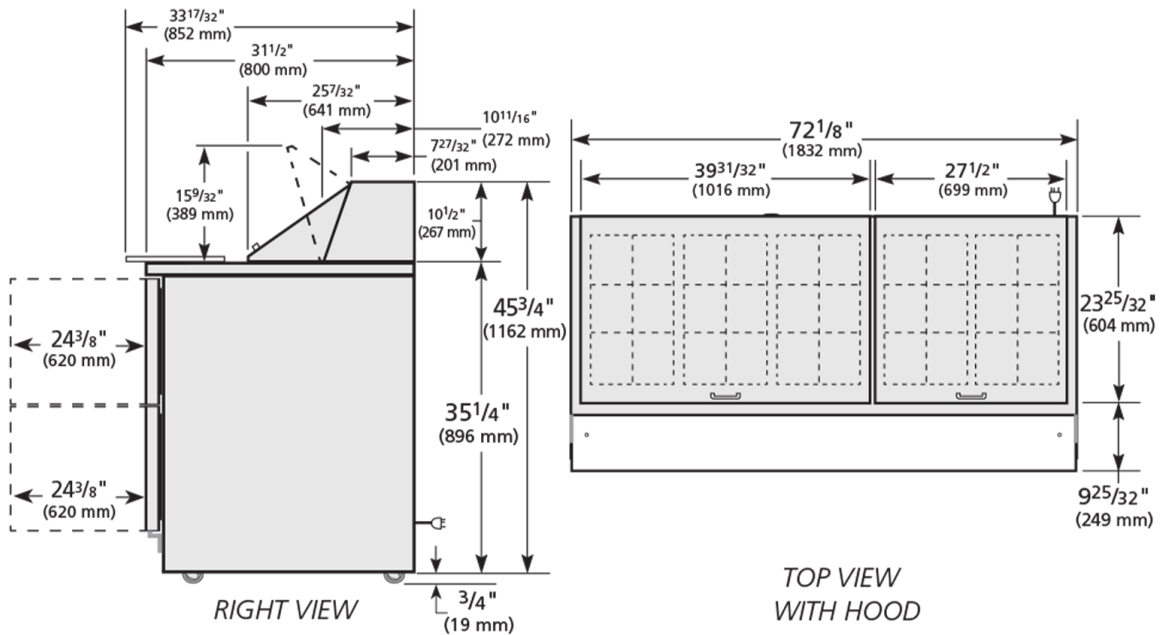
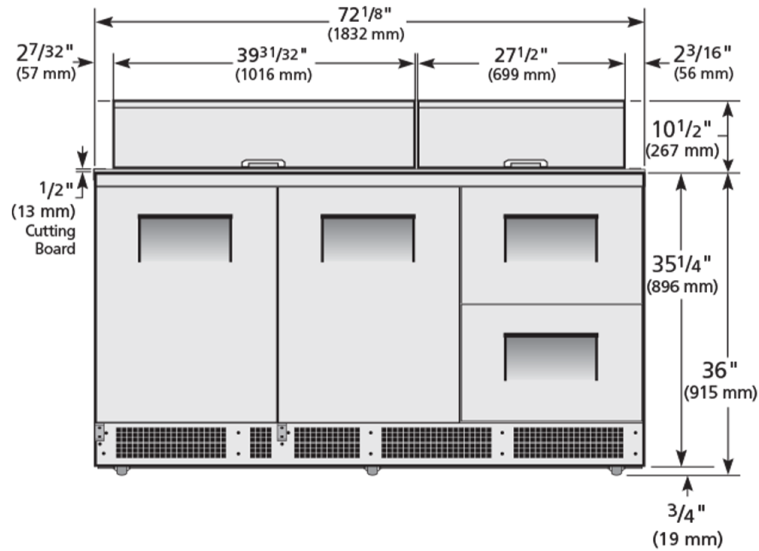
UK & Ireland [0800 783 2049](tel:08007832049)
 EMEA [+41 61 563 07 05](tel:+41615630705)
 Australia [+61 2 9619 9999](tel:+61296199999)

TFIUK@truemfg.com
TrueCHCustomerService@truemfg.com
TrueRefAus@truemfg.com



TFP-72-30M-D-2-HC

Prep Table, 30x 1/6 Top Pans, 2 Drawers + 2 Solid Swing Doors



Specifications subject to change without notice.
 Technical data above related to energy use based on testing of 50Hz or Dual Frequency models
 Chart dimensions rounded up to the next whole millimeter (inches rounded up to the 1/8")

UK & Ireland [0800 783 2049](tel:08007832049)
 EMEA [+41 61 563 07 05](tel:+41615630705)
 Australia [+61 2 9619 9999](tel:+61296199999)

TFIUK@truemfg.com
TrueCHCustomerService@truemfg.com
TrueRefAus@truemfg.com

