


# TDR52-RISZ1-L-S-SS-2

 Keg Chiller / Dispenser, Stainless Steel Ext, 2 Solid Swing Doors



Dimensions		Build		Technical	
External Width (mm)	1321	Door Description	2 Solid Swing Doors	Temperature Holding	0.5 : 3.3°C
External Depth (mm)	631	Exterior Construction	Stainless Steel front and countertop. Matching Aluminium sides & rear.	Refrigerant	R290
External Height (mm)	881	Interior Construction	Stainless Steel	Voltage / Frequency / Phase	220-240V/50-60Hz/1
Exclusions	Depth does not include 35 mm for door handles. Height does not include 7 mm for leg levelers or 400 mm for draft tower.	Air Intake Position	Front	Amps	1.3
Gross Volume (Litres)	550	Ventilation Position	Front	Wattage	299
Unpackaged Weight (kg)	85	Clearance Required	Zero back and sides	Defrost Type	Auto
Packaged Weight (kg)	96	Cord Length (Meters)	3.04		
Packaged Dimensions (W x D x H mm)	1486 x 724 x 1067	Internal Lighting	LED		
Internal Capacity for Keg (L x D x H mm)	924 x 477 x 783	Standard w/ Locks	standard		
Supplied Supports	Leg Levellers (Castors supplied separate)				




**WARRANTY** PARTS, COMPRESSOR AND LABOUR **5 YEARS**


Specifications subject to change without notice. Technical data above related to energy use based on testing of 50Hz or Dual Frequency models Chart dimensions rounded up to the next whole millimeter (inches rounded up to the 1/8")

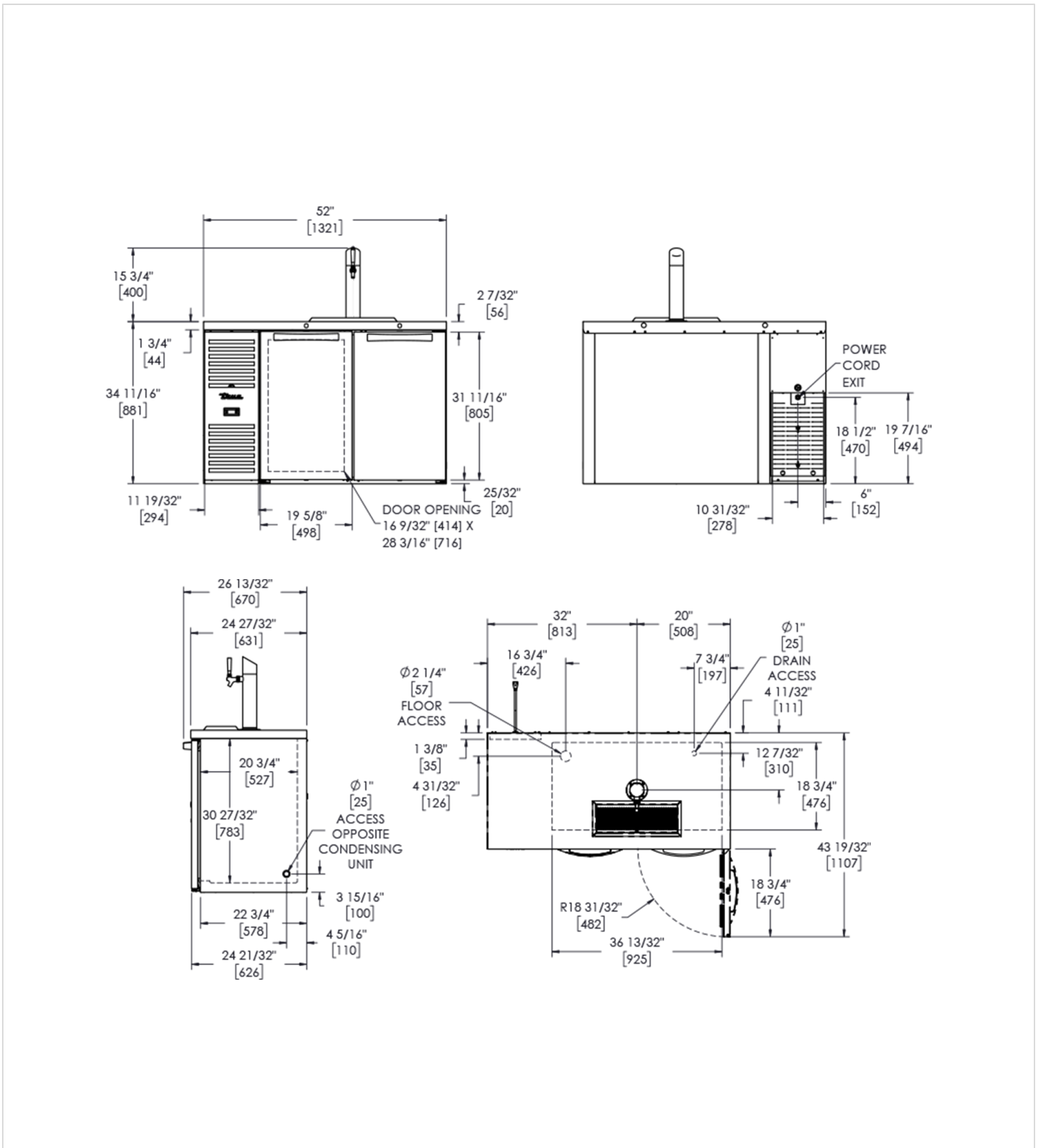
UK & Ireland [0800 783 2049](tel:08007832049)  
 EMEA [+41 61 563 07 05](tel:+41615630705)  
 Australia [+61 2 9619 9999](tel:+61296199999)

[TFIUK@truemfg.com](mailto:TFIUK@truemfg.com)  
[TrueCHCustomerService@truemfg.com](mailto:TrueCHCustomerService@truemfg.com)  
[TrueRefAus@truemfg.com](mailto:TrueRefAus@truemfg.com)



# TDR52-RISZ1-L-S-SS-2

🇬🇧 Keg Chiller / Dispenser, Stainless Steel Ext, 2 Solid Swing Doors



Specifications subject to change without notice. Technical data above related to energy use based on testing of 50Hz or Dual Frequency models Chart dimensions rounded up to the next whole millimeter (inches rounded up to the 1/8")

UK & Ireland [0800 783 2049](tel:08007832049)  
 EMEA [+41 61 563 07 05](tel:+41615630705)  
 Australia [+61 2 9619 9999](tel:+61296199999)

[TfIUK@truemfg.com](mailto:TfIUK@truemfg.com)  
[TrueCHCustomerService@truemfg.com](mailto:TrueCHCustomerService@truemfg.com)  
[TrueRefAus@truemfg.com](mailto:TrueRefAus@truemfg.com)

