


TDD-2CT

 Keg Chiller / Dispenser with "Club Top", Black Ext, 2 Solid Swing Door



Dimensions		Build		Technical	
External Width (mm)	1496	Door Description	2 Solid Swing Doors	Temperature Holding	0.5 : 3.3°C
External Depth (mm)	704	Exterior Construction	Black powder coated steel front and sides. Stainless steel top. Galv rear.	Refrigerant	R134a
External Height (mm)	978	Interior Construction	Stainless Steel floor. Galv sides.	Voltage / Frequency / Phase	220-240V/50Hz/1
Exclusions	Depth does not include 26 mm for rear bumpers. Height does not include 388 mm for draft tower.	Air Intake Position	Front	Amps	4.2
Gross Volume (Litres)	571	Ventilation Position	Rear	60Hz model Amps	2.4
Unpackaged Weight (kg)	146	Clearance Required	26 mm rear	Wattage	966
Packaged Weight (kg)	157	Cord Length (Meters)	2.13	60Hz model Wattage	552
Packaged Dimensions (W x D x H mm)	1601 x 775 x 1143	Standard w/ Locks	standard	Defrost Type	Off-Cycle
Internal Capacity for Keg (L x D x H mm)	1092 x 558 x 654				
Supplied Supports	None. Castors and Legs optional				



Specifications subject to change without notice.
 Technical data above related to energy use based on testing of 50Hz or Dual Frequency models
 Chart dimensions rounded up to the next whole millimeter (inches rounded up to the 1/8")

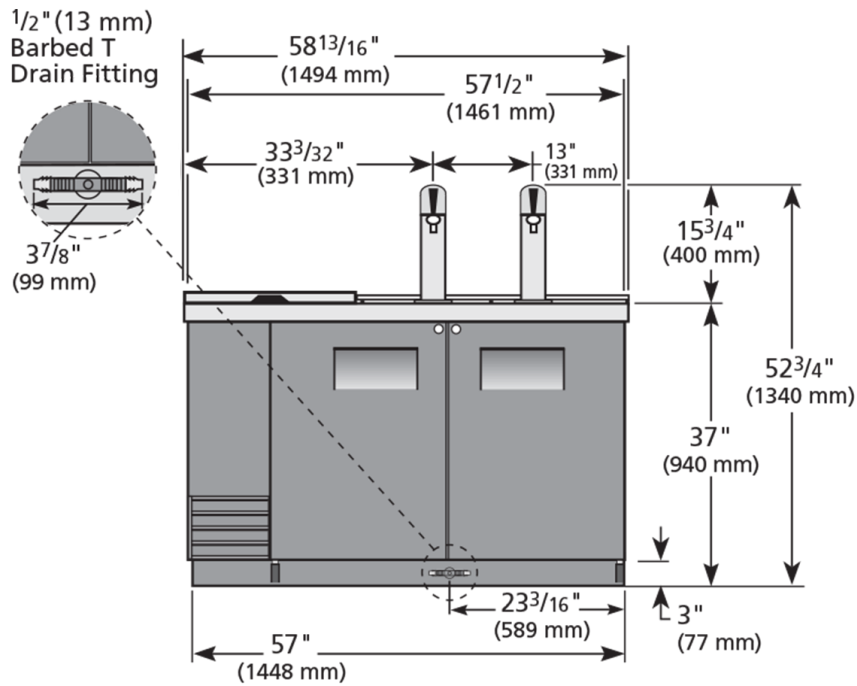
UK & Ireland [0800 783 2049](tel:08007832049)
 EMEA [+41 61 563 07 05](tel:+41615630705)
 Australia [+61 2 9619 9999](tel:+61296199999)

TFIUK@truemfg.com
TrueCHCustomerService@truemfg.com
TrueRefAus@truemfg.com

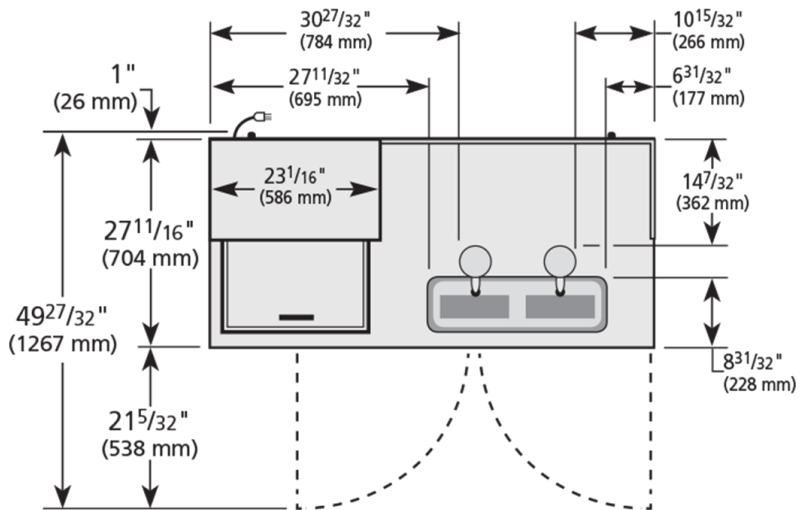


TDD-2CT

🇬🇧 Keg Chiller / Dispenser with "Club Top", Black Ext, 2 Solid Swing Door



ELEVATION



Specifications subject to change without notice.
 Technical data above related to energy use based on testing of 50Hz or Dual Frequency models
 Chart dimensions rounded up to the next whole millimeter (inches rounded up to the 1/8")

UK & Ireland [0800 783 2049](tel:08007832049)
 EMEA [+41 61 563 07 05](tel:+41615630705)
 Australia [+61 2 9619 9999](tel:+61296199999)

TFIUK@truemfg.com
TrueCHCustomerService@truemfg.com
TrueRefAus@truemfg.com

