


# TDD-1-S

 Keg Chiller / Dispenser, Stainless Steel Ext, 1 Solid Swing Door



Dimensions		Build		Technical	
External Width (mm)	597	Door Description	1 Solid Swing Door	Temperature Holding	0.5 : 3.3°C
External Depth (mm)	794	Exterior Construction	Stainless Steel front, sides & top. Galv rear.	Refrigerant	R134a
External Height (mm)	1010	Interior Construction	Stainless Steel floor. Galv sides.	Voltage / Frequency / Phase	220-240V/50Hz/1
Exclusions	Depth does not include 26 mm for rear bumpers. Height does not include 388 mm for draft tower.	Air Intake Position	Rear	Amps	1.2
Gross Volume (Litres)	227	Ventilation Position	Right side	60Hz model Amps	1.2
Unpackaged Weight (kg)	82	Clearance Required	26 mm top, sides & rear	Wattage	276
Packaged Weight (kg)	93	Cord Length (Meters)	2.13	60Hz model Wattage	276
Packaged Dimensions (W x D x H mm)	883 x 718 x 1143	Standard w/ Locks	standard	Defrost Type	Off-Cycle
Internal Capacity for Keg (L x D x H mm)	500 x 450 x 740				
Supplied Supports	Built-in 102 mm castors				



Specifications subject to change without notice.  
 Technical data above related to energy use based on testing of 50Hz or Dual Frequency models  
 Chart dimensions rounded up to the next whole millimeter (inches rounded up to the 1/8")

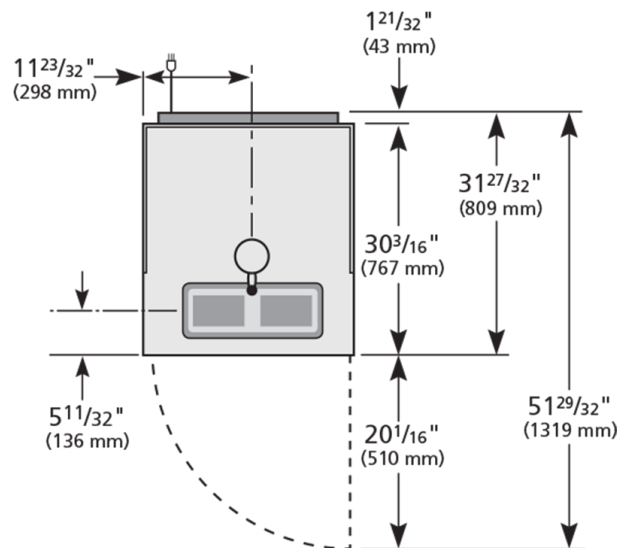
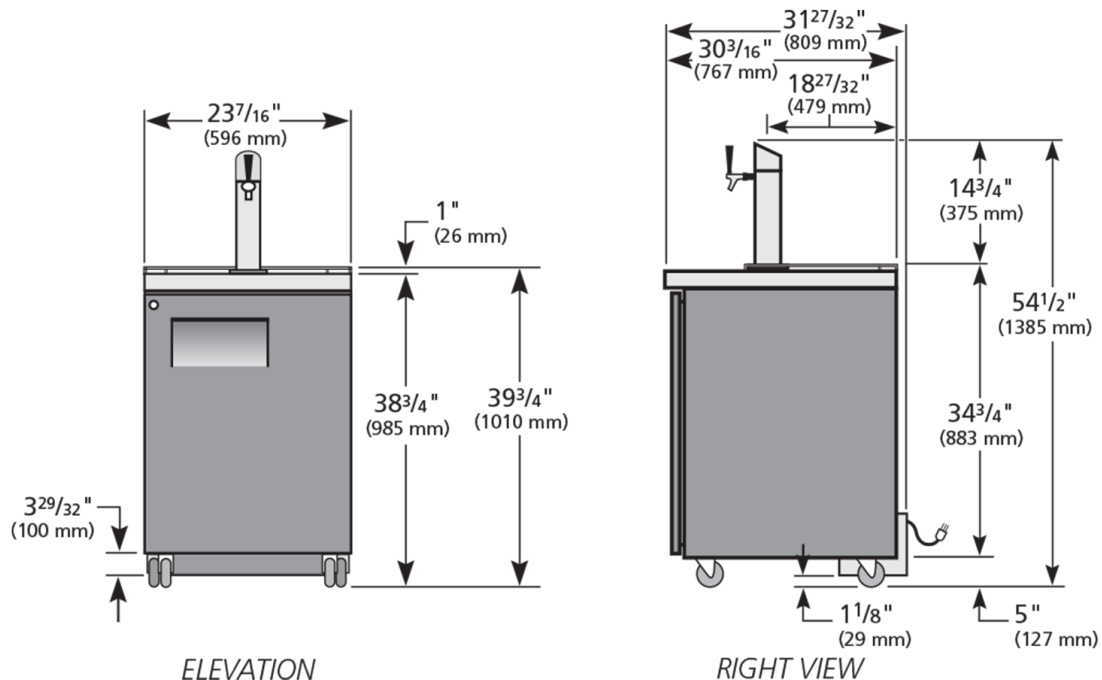
UK & Ireland [0800 783 2049](tel:08007832049)  
 EMEA [+41 61 563 07 05](tel:+41615630705)  
 Australia [+61 2 9619 9999](tel:+61296199999)

[TFIUK@truemfg.com](mailto:TFIUK@truemfg.com)  
[TrueCHCustomerService@truemfg.com](mailto:TrueCHCustomerService@truemfg.com)  
[TrueRefAus@truemfg.com](mailto:TrueRefAus@truemfg.com)



# TDD-1-S

🇬🇧 Keg Chiller / Dispenser, Stainless Steel Ext, 1 Solid Swing Door



**WARRANTY**  
PARTS, COMPRESSOR AND LABOUR  
5 YEARS\*

Specifications subject to change without notice.  
Technical data above related to energy use based on testing of 50Hz or Dual Frequency models  
Chart dimensions rounded up to the next whole millimeter (inches rounded up to the 1/8")

UK & Ireland [0800 783 2049](tel:08007832049)  
EMEA [+41 61 563 07 05](tel:+41615630705)  
Australia [+61 2 9619 9999](tel:+61296199999)

[TfIUK@truemfg.com](mailto:TfIUK@truemfg.com)  
[TrueCHCustomerService@truemfg.com](mailto:TrueCHCustomerService@truemfg.com)  
[TrueRefAus@truemfg.com](mailto:TrueRefAus@truemfg.com)

