


Air Curtain Display

# TAC-27K-HC-LD

 Upright Open Multideck Refrigerator



Dimensions		Build		Technical	
External Width (mm)	686	Exterior Construction	Aluminium	Temperature Holding	0.5 : 3.3°C
External Depth (mm)	740	Interior Construction	Clear coated aluminium, stainless steel base	Refrigerant	R290
External Height (mm)	1915	Air Intake Position	Front	Voltage / Frequency / Phase	220-240V/50Hz/1
Net Volume (Litres)	322	Ventilation Position	Rear	Amps	4.4
Gross Volume (Litres)	566	Clearance Required	102 mm rear, 305 mm above	Wattage	1012.0000000000001
Display Area (m <sup>2</sup> )	0.59	Cord Length (Meters)	3.05	Temperature Class	M2
Supplied Shelves	4	Internal Lighting	LED	Operating Statement	Tested at 25°C, 60% RH, per 'Refrigerators with a Direct Sales Function' for perishable food merchandising.
Shelf Size (L x D mm)	583 x 426			Testing Standard	EN 23953
Internal Net Height (mm)	1100			EEC	D
Unpackaged Weight (kg)	141			EEL	48.7
Packaged Weight (kg)	152			kWh/24hr	7.74
Packaged Dimensions (W x D x H mm)	915 x 889 x 2159			kWh/Annum	2826
Supplied Supports	Built-in 32 mm castors			Defrost Type	Auto



Specifications subject to change without notice.  
Technical data above related to energy use based on testing of 50Hz or Dual Frequency models  
Chart dimensions rounded up to the next whole millimeter (inches rounded up to the 1/8")

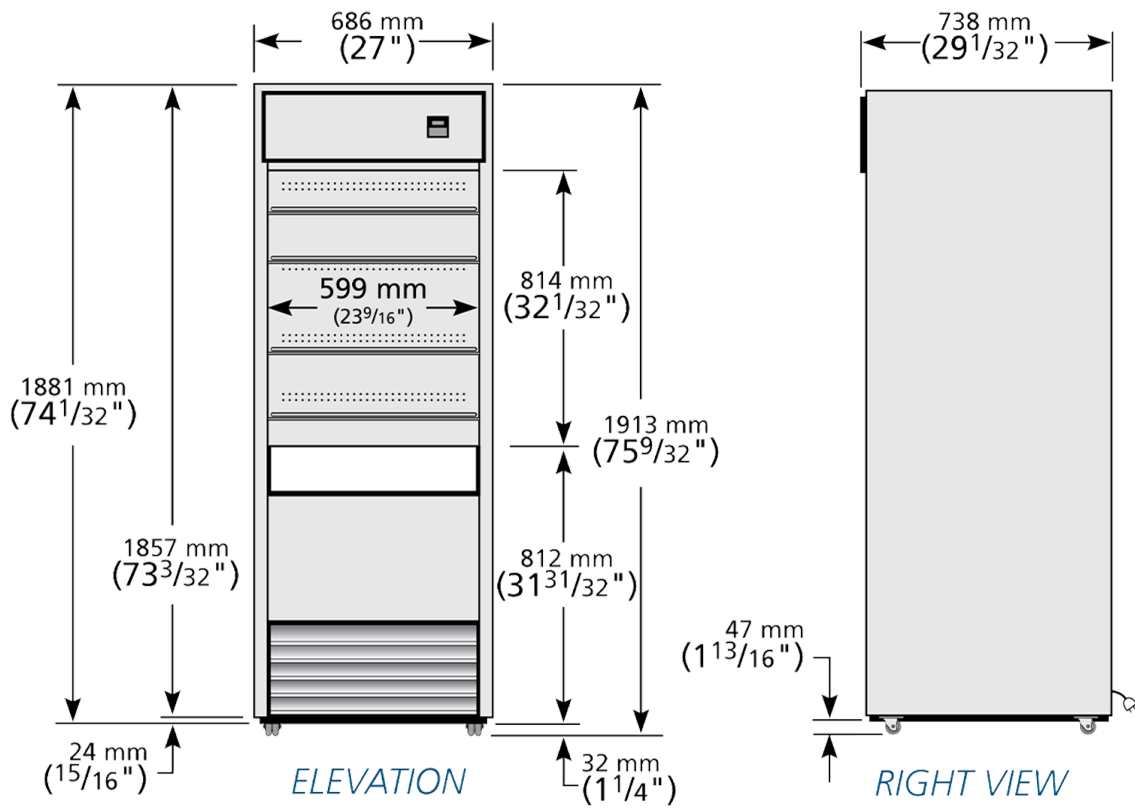
UK & Ireland [0800 783 2049](tel:08007832049)  
EMEA [+41 61 563 07 05](tel:+41615630705)  
Australia [+61 2 9619 9999](tel:+61296199999)

[TFIUK@truemfg.com](mailto:TFIUK@truemfg.com)  
[TrueCHCustomerService@truemfg.com](mailto:TrueCHCustomerService@truemfg.com)  
[TrueRefAus@truemfg.com](mailto:TrueRefAus@truemfg.com)



# TAC-27K-HC-LD

Upright Open Multideck Refrigerator



**WARRANTY** 5 YEARS  
PARTS, COMPRESSOR AND LABOUR  
natural refrigerant.

Specifications subject to change without notice.  
Technical data above related to energy use based on testing of 50Hz or Dual Frequency models  
Chart dimensions rounded up to the next whole millimeter (inches rounded up to the 1/8")

UK & Ireland [0800 783 2049](tel:08007832049)  
EMEA [+41 61 563 07 05](tel:+41615630705)  
Australia [+61 2 9619 9999](tel:+61296199999)

[TFIUK@truemfg.com](mailto:TFIUK@truemfg.com)  
[TrueCHCustomerService@truemfg.com](mailto:TrueCHCustomerService@truemfg.com)  
[TrueRefAus@truemfg.com](mailto:TrueRefAus@truemfg.com)

