


Upright Cabinets

T-49-HC-LD

 Upright Foodservice Refrigerator, 2 Full Solid Swing Doors



Dimensions		Build		Technical	
External Width (mm)	1375	Door Description	2 Full Solid Swing Doors	Temperature Holding	0.5 : 3.3°C
External Depth (mm)	750	Exterior Construction	Stainless steel front, aluminium sides & rear	Refrigerant	R290
External Height (mm)	2074	Interior Construction	Clear coated aluminium, stainless steel base	Voltage / Frequency / Phase	220-240V/50-60Hz/1
Exclusions	Depth does not include 13 mm for rear access panel.	Air Intake Position	Front	Amps	2.2
Net Volume (Litres)	914	Ventilation Position	Rear	Wattage	506
Gross Volume (Litres)	1388	Clearance Required	26 mm rear, zero sides	Climate Class	4
Supplied Shelves	8	Cord Length (Meters)	2.74	Operating Statement	Regular Duty: This appliance is intended for use in ambient temperatures up to 30°C.
Shelf Size (L x D mm)	624 x 569	Internal Lighting	LED	Testing Standard	EN 16825
Internal Net Height (mm)	1300	Standard w/ Locks	standard	EEC	D
Unpackaged Weight (kg)	166			EI	73
Packaged Weight (kg)	177			kWh/24hr	4.20
Packaged Dimensions (W x D x H mm)	1486 x 902 2134			kWh/Annum	1533
Supplied Supports	ø 64 mm castors (83 mm height)			Defrost Type	Auto



Specifications subject to change without notice.
 Technical data above related to energy use based on testing of 50Hz or Dual Frequency models
 Chart dimensions rounded up to the next whole millimeter (inches rounded up to the 1/8")

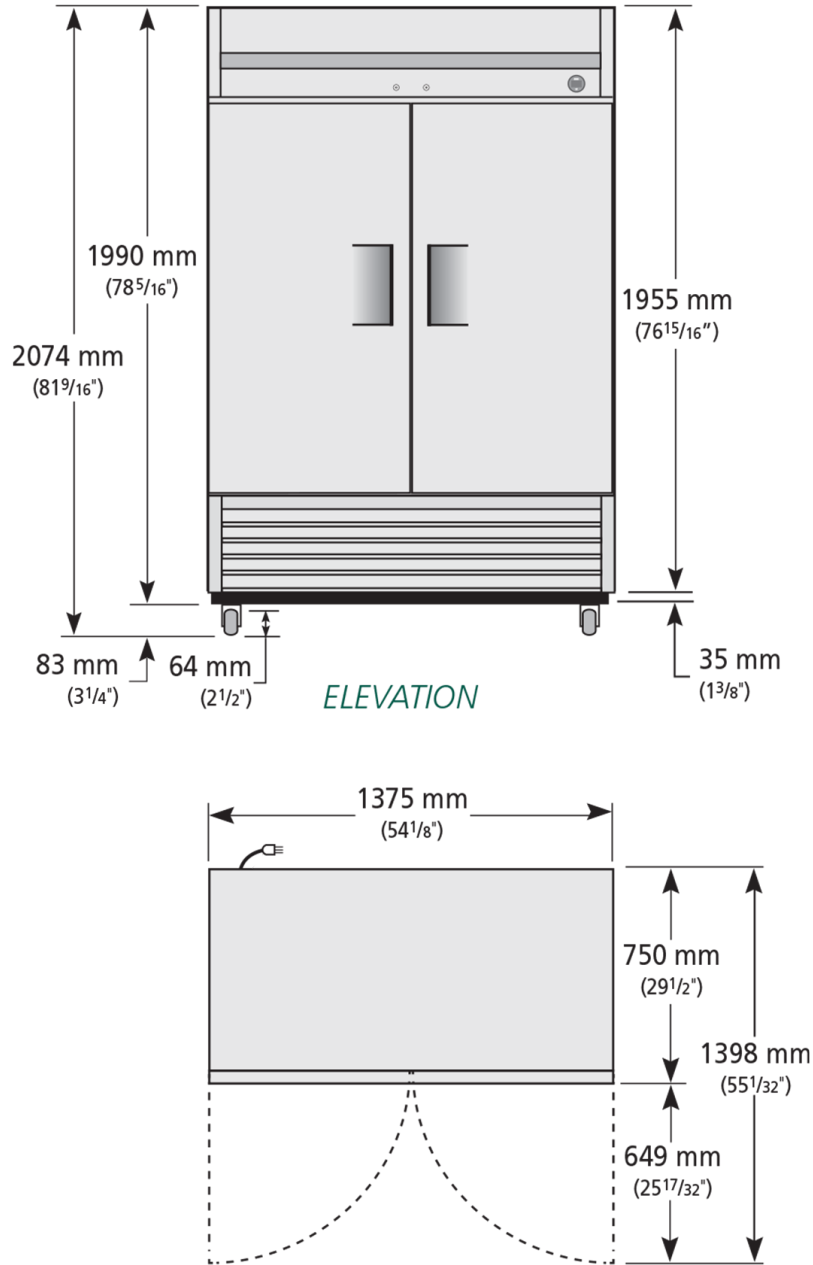
UK & Ireland [0800 783 2049](tel:08007832049)
 EMEA [+41 61 563 07 05](tel:+41615630705)
 Australia [+61 2 9619 9999](tel:+61296199999)

TFIUK@truemfg.com
TrueCHCustomerService@truemfg.com
TrueRefAus@truemfg.com



T-49-HC-LD

Upright Foodservice Refrigerator, 2 Full Solid Swing Doors



WARRANTY 5 YEARS
PARTS, COMPRESSOR AND LABOUR
natural refrigerant.

Specifications subject to change without notice.
Technical data above related to energy use based on testing of 50Hz or Dual Frequency models
Chart dimensions rounded up to the next whole millimeter (inches rounded up to the 1/8")

UK & Ireland 0800 783 2049
EMEA +41 61 563 07 05
Australia +61 2 9619 9999

TFIUK@truemfg.com
TrueCHCustomerService@truemfg.com
TrueRefAus@truemfg.com

