

Commercial Tapware



CLEANAJET[®]
STAINLESS STEEL

Dual Hob Mount Pre Rinse Unit with Line Retractor

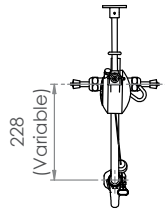


T-3M53500

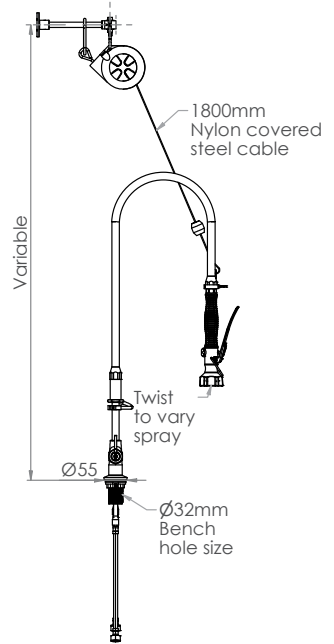
- Full S/S construction
- Comes complete with a line retractor, with 1800mm cable
- Equipped with a water saving 6 star 4.5LPM variable trigger valve
- Fully assembled and bench tested, with a unique traceable serial number
- Working pressure range 150kPa-500kPa
- Maximum operating temperature 80 degrees



Top



Side



Front

