


Upright Cabinets

# T-15-1-G-1-HC~FGD01

 Slimline Upright Display Refrigerator, Split Half Glass + Half Solid Swing Doors



Dimensions		Build		Technical	
External Width (mm)	632	Door Description	Split Half Glass + Half Solid Swing Doors	Temperature Holding	0.5 : 3.3°C
External Depth (mm)	585	Door Opening	Right (standard) or Left.	Refrigerant	R290
External Height (mm)	1877	Exterior Construction	Stainless steel front, aluminium sides & rear	Voltage / Frequency / Phase	220-240V/50Hz/1
Exclusions	Depth does not include 42 mm for door handle or 13 mm for rear access panel.	Interior Construction	Clear coated aluminium, stainless steel base	Amps	1.4
Net Volume (Litres)	290	Air Intake Position	Front	Wattage	322
Gross Volume (Litres)	425	Ventilation Position	Rear	Climate Class	5
Supplied Shelves	5	Clearance Required	26 mm rear, zero sides	Operating Statement	Heavy Duty: This appliance is intended for use in ambient temperatures up to 40°C.
Shelf Size (L x D mm)	524 x 445	Cord Length (Meters)	2.74	Testing Standard	EN 16825
Internal Net Height (mm)	1300	Internal Lighting	LED	EEC	D
Unpackaged Weight (kg)	98			EI	52.4
Packaged Weight (kg)	109			kWh/24hr	1.55
Packaged Dimensions (W x D x H mm)	737 x 699 x 1918			kWh/Annum	569
Supplied Supports	ø 51 mm castors (74 mm height)			Defrost Type	Auto




Specifications subject to change without notice.  
 Technical data above related to energy use based on testing of 50Hz or Dual Frequency models  
 Chart dimensions rounded up to the next whole millimeter (inches rounded up to the 1/8")

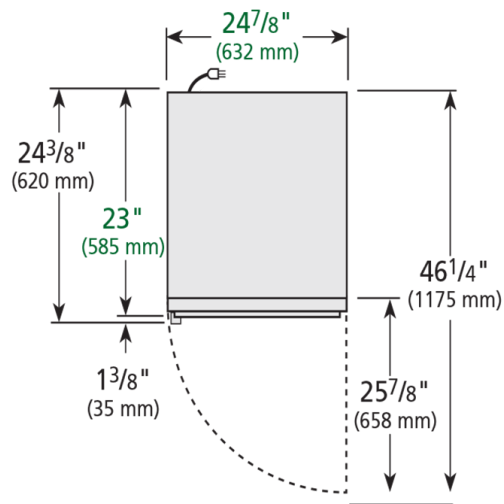
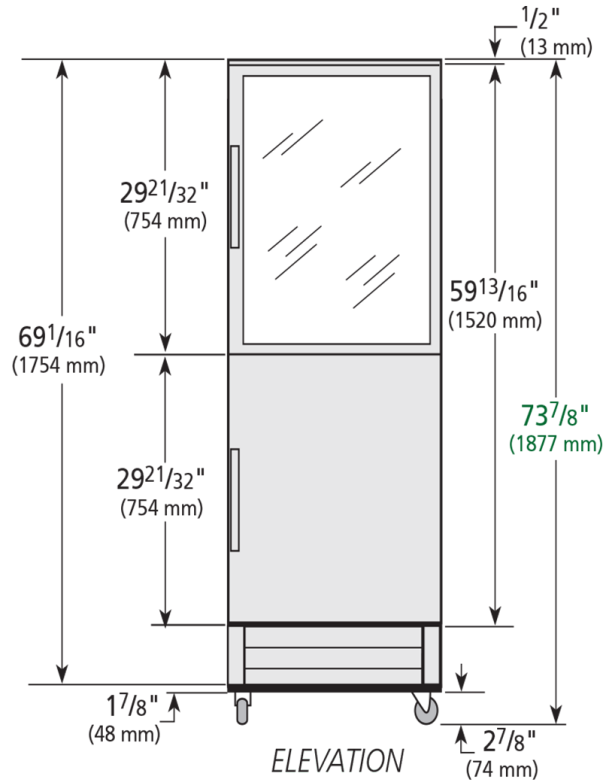
UK & Ireland [0800 783 2049](tel:08007832049)  
 EMEA [+41 61 563 07 05](tel:+41615630705)  
 Australia [+61 2 9619 9999](tel:+61296199999)

[TFIUK@truemfg.com](mailto:TFIUK@truemfg.com)  
[TrueCHCustomerService@truemfg.com](mailto:TrueCHCustomerService@truemfg.com)  
[TrueRefAus@truemfg.com](mailto:TrueRefAus@truemfg.com)



# T-15-1-G-1-HC~FGD01

 Slimline Upright Display Refrigerator, Split Half Glass + Half Solid Swing Doors



**WARRANTY**  
PARTS, COMPRESSOR AND LABOUR  
**5 YEARS\***  
 natural refrigerant.

Specifications subject to change without notice.  
Technical data above related to energy use based on testing of 50Hz or Dual Frequency models  
Chart dimensions rounded up to the next whole millimeter (inches rounded up to the 1/8")

UK & Ireland [0800 783 2049](tel:08007832049)  
EMEA [+41 61 563 07 05](tel:+41615630705)  
Australia [+61 2 9619 9999](tel:+61296199999)

[TFIUK@truemfg.com](mailto:TFIUK@truemfg.com)  
[TrueCHCustomerService@truemfg.com](mailto:TrueCHCustomerService@truemfg.com)  
[TrueRefAus@truemfg.com](mailto:TrueRefAus@truemfg.com)

