

ELECTRIC BOILING PAN - DIRECT HEATING 150 LT

QUEEN9

- AISI 304 stainless-steel bases and worktops, Scotch-Brite finish
- Depth of 900 mm for high power and performance
- Catalogue offers more than 350 standard models
- Worktop, base cabinet, base cabinet with doors and oven versions
- 20/10 worktop thickness
- Twin-piece knobs prevent infiltration of dirt and have an IPX5 water ingress protection rating
- Gas kitchens having burners with various configurations and power ratings: 3.5 kW - 5.7 kW, 7 kW and 10 kW
- Double-ring burners for 7 and 10 kW models
- Wide range of accessories



Technical / functional characteristics

- Water filled via two solenoid valves;
- Water drained with 2" valve
- AISI 316 stainless steel container bottom
- No water in the interspace indicator light;
- Safety thermostat to interrupt heating until restore of sufficient water level;
- 3 steel heating elements outside the container bottom, or 2 armoured heating element units inside the interspace.

| DIMENSIONS | |
|-------------------------------|------------------|
| Width (mm) | 800 |
| Depth (mm) | 900 |
| Height (mm) | 900 |
| Gas connection (Ø) | |
| Electric connection (V/~ /Hz) | 400V/3N 50-60 Hz |
| Cold water connection (Ø) | 3/4" |
| Hot water connection (Ø) | 3/4" |

| | |
|--------------------------------|--------|
| Cold soft water connection (Ø) | |
| Drain (Ø) | 1 1/2" |
| Gas power (Mj/hr) | |
| Electric power (kW) | 12 |
| Plate dimensions (mm) | |
| Tank capacity (L) | 150 |
| Tank dimensions (mm) | |
| Internal oven dimensions (mm) | |

MODEL

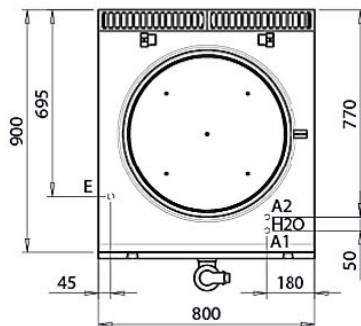
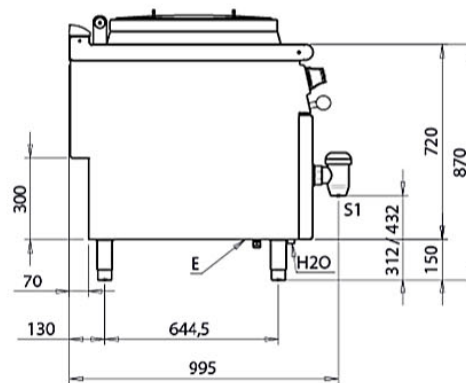
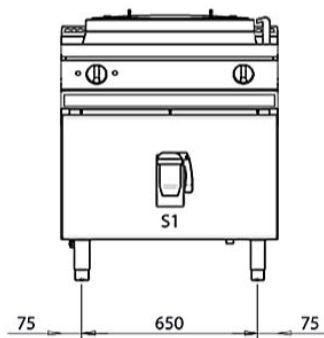
Q90PF/ED150

CODE

CR1018109

SCHEMA DI INSTALLAZIONE - INSTALLATION DIAGRAM - INSTALLATIONSPLAN - SCHÉMA D'INSTALLATION - ESQUEMA DE INSTALACION -INSTALLATIESCHEMA - IINSTALLATIONSRTNINGAR

MISURE IN mm - DIMENSIONS IN mm - ABMESSUNGEN IN mm
MESURES EN mm - MEDIDAS EN mm - MATEN IN mm



Q90PF/ED...

Legenda - Legende - Key - Légende - Leyenda - Legenda

- H20 Attacchi arrivo acqua - Wasseranschluss - Water inlet - Arrivée eau - Union de agua - Wateraansluiting
- A1 = Calda - Heiss - Warm - Chaude - Caliente - Warm EN ISO 228-1 G 3/4
- A2 = Fredda - Kalt - Cold - Froid - Fria - Koude EN ISO 228-1 G 3/4
- E Pressacavo entrata linea elettrica - Sopfbuchse - Electric cable stress relief
Presse étoupe de câble él. - Elektrische kabelwartel
- S1 Scarico acqua - Wasserablauf - Water outlet - Vidange de l'eau - Desaguadero - Waterafwaansluiting 2'