

MODEL

Q70PCV/WG1028

CODE

CR1012839

2 BURNER GAS WOK (14Kw) ON OPEN CABINET

QUEEN7

- 15/10 worktop thickness
- Stainless steel, Scotch-Brite finish
- Sturdy and powerful with compact design
- Depth of 700 mm means it will fit the most common configurations
- Catalogue offers more than 300 standard models
- Worktop, base cabinet and oven Versions
- Twin-piece knobs prevent the infiltration of dirt and are watertight
- Gas kitchens having burners with various configurations and power ratings: 3.5 kW - 5.7 kW - 7.0 Kw
- Wide range of accessories



Technical / functional characteristics

- Outer casing and feet made of stainless steel.
- Worktops with a 20/10 thickness with 550x520 mm or 950x520 mm for the 700 range.
- Right rear drain with a 22 mm diameter, configured for earth connection.
- With grease collection draw (approx. 2/3 lt capacity).

DIMENSIONS	
Width (mm)	1000
Depth (mm)	700
Height (mm)	900
Gas connection (∅)	1/2"
Electric connection (V/~ /Hz)	
Cold water connection (∅)	
Hot water connection (∅)	

Cold soft water connection (∅)	
Drain (∅)	
Gas power (Mj/hr)	50.4 + 50.4
Electric power (kW)	
Plate dimensions (mm)	
Tank capacity (L)	
Tank dimensions (mm)	
Internal oven dimensions (mm)	

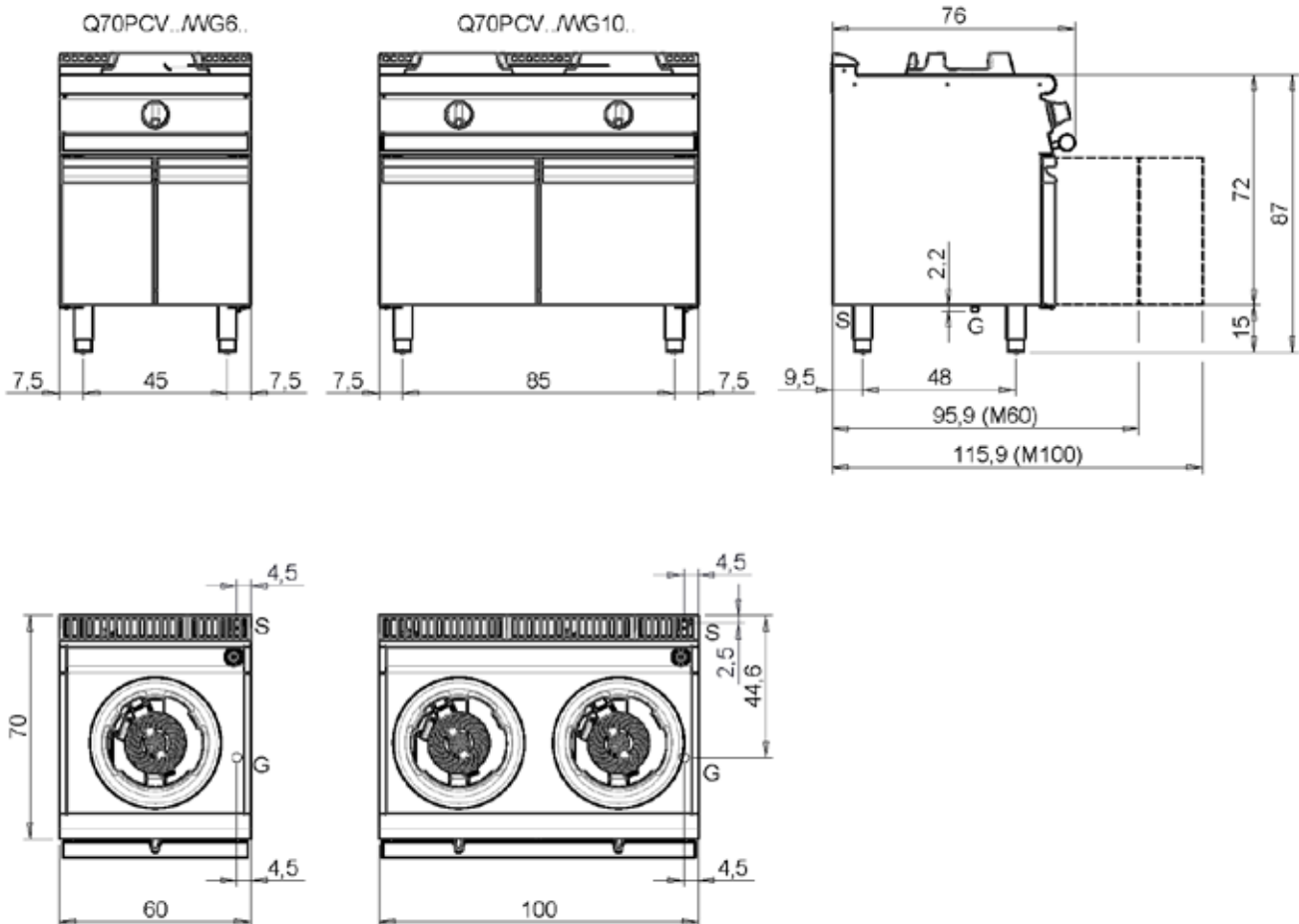
MODEL

Q70PCV/WG1028

CODE

CR1012839

MISURE IN cm - DIMENSIONS IN cm - ABMESSUNGEN IN cm - MESURES EN cm
 MEDIDAS EN cm - MATEN IN cm - DIMENSIONES EN cm



Legenda - Legende - Key - Légende - Leyenda - Legenda - Legenda

<p>E Pressacavo entrata linea elettrica - Stopfbuchse - Electric cable stress relief - Presse étoupe de câble él - Pisacable - Elektrische kabelwartel - Entrada cabo eléctrico</p>	<p>G Arrivo gas - Gasanschluss - Gas connection - Arrivée gaz - Union de gas - Gasaansluiting - Ligação gás EN 10226-1 R 1/2; EN ISO 228-1 G 1/2 (DK)</p>
<p>S Attacco scarico acqua - Wasserablauf - Water outlet - Vidange de l'eau - Desaguadero - Wateraftapaansluiting - Junção descarga água EN 10226-1 R1</p> <p>S1 Scarico vasca - Wannenabflussrohr - Pan outlet - Vidange du bac - Descarga cuba - Water toevoer - Descarga da cuba</p>	<p>H20 Arrivo acqua - Wasseranschluss - Water inlet - Arrivée eau - Union de agua - Wateraansluiting - Junção alimentação água</p> <p>A1 = Calda - Heiss - Warm - Chaude - Caliente - Warm - Morno A2 = Fredda - Kalt - Cold - Froid - Fria - Koude - Frio</p>
<p>S2 Valvola di depressione - Anti-depression valve - Unterdruck ventil - Soupape de dépression - Válvula de depésión - Onderdrukklep - Válvula de depressão</p> <p>S3 Scarico acqua intercapedine - Wasserablauf Zwischenraum - Jacket water drain Evacuation eau double envelope - Descarga de agua intersticios - Afvoer water tussenuimte - Descarga de água na marmitta com Sistema de aquecimento indirecto</p> <p>S4 Scarico - Abflussrohr - Drain - Tuyau d'évacuation - Tubo de drenaje - Aftapbuis - Tubulação de dreno</p>	<p>L Rubinetto di livello - Level tap - Wasserhahn - Robinet de niveau - Grifo de nivel - Niveaakraan - Torneira de nível</p>