



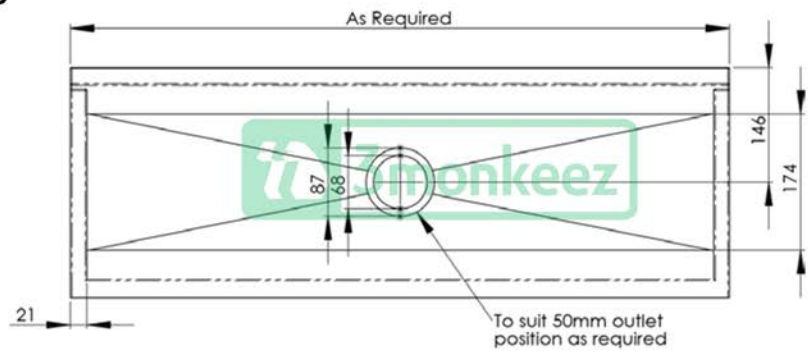
Product Code:
M-PT-1

This pattern trough offers a flexible and economical solution for a broad range of washroom areas. It comes in a variety of lengths and the outlet position is set as required.

Features and Benefits:

- Constructed from 304 grade 1.2mm satin stainless steel
- Outlet as required
- Length as required
- Wall brackets manufactured from 32mm 1.2mm square tube with pre-drilled fixing holes
- Splashback height modified on request
- Custom made products incur a lead time

Top



Front



Side

