

## Fixed cylindrical boiling pan indirect steam heating



BROTHS  
RICE  
PASTA  
THICK SOUPS  
THIN SOUPS  
POTATO OR VEGETABLE  
PUREES  
BECHAMEL SAUCE

### MODULAR PANS FOR RESTAURANTS AND CATERING SERVICES

The EASYPAN boiling pan is the extremely modular and professional solution developed by Firex to meet the needs of small restaurants and catering services to treat particularly acid products, thanks to the use of AISI 316 stainless steel.

### THE ADVANTAGES OF COOKING FOOD IN WATER

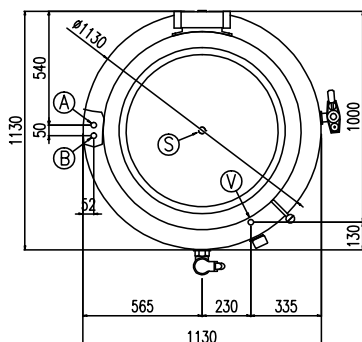
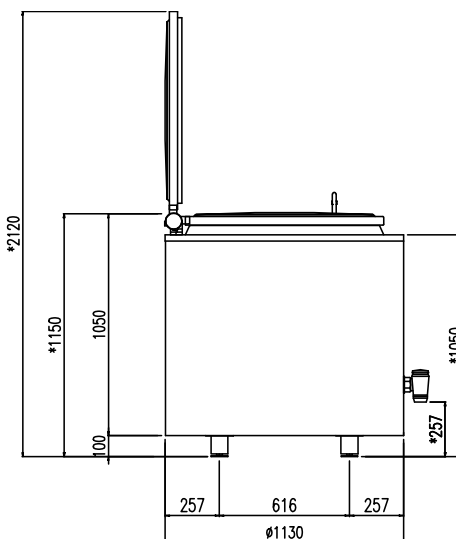
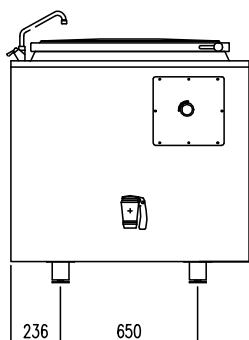
This type of modular industrial pans, whether cylindrical or rectangular, is characterised by a high quality of materials and construction processes; all to ensure maximum safety and reliability over time.

Heating type	indirect steam
Capacity (L)	480
Surface (dmq)	-
Gas connection (Ø)	-
Electric connection (V/-/Hz)	-

Width (mm)	1130
Depth (mm)	1130
Height (mm)	950
Gas power (Mj/hr)	-
Electric power (kW)	-

**boiling** | braising | pasteurising | tilting | mixing | cooling | frying | underpressure | vacuum cooking | cutting | washing | drying

\* REG. -55 ; + 5 mm



<b>V</b>	<b>Allacciamneto Vapore</b> Steam connection	<b>Dampfanschluss</b> Connexion vapeur	<b>1"</b>
<b>S</b>	<b>Scarico Condensa</b> Condensate drain	<b>Kondenswasserablauf</b> Sortie du condenseur	<b>3/4"</b>
<b>A</b>	<b>Allacciamento Acqua Calda</b> Hot water inlet	<b>Warmwasseranschluss</b> Raccordement eau chaude	<b>1/2"</b>
<b>B</b>	<b>Allacciamento Acqua Fredda</b> Cold water inlet	<b>Kaltwasseranschluss</b> Raccordement eau froide	<b>1/2"</b>

**boiling** | braising | pasteurising | tilting | mixing | cooling | frying | underpressure | vacuum cooking | cutting | washing | drying