

Fixed cylindrical boiling pan indirect steam heating



BROTHS
RICE
PASTA
THICK SOUPS
THIN SOUPS
POTATO OR VEGETABLE
PUREES
BECHAMEL SAUCE

MODULAR PANS FOR RESTAURANTS AND CATERING SERVICES

The EASYPAN boiling pan is the extremely modular and professional solution developed by Firex to meet the needs of small restaurants and catering services to treat particularly acid products, thanks to the use of AISI 316 stainless steel.

THE ADVANTAGES OF COOKING FOOD IN WATER

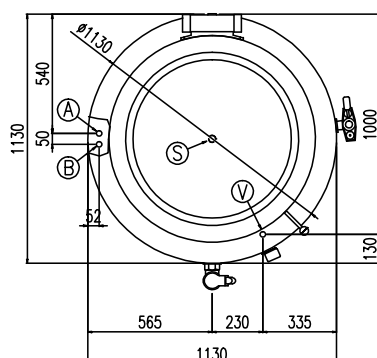
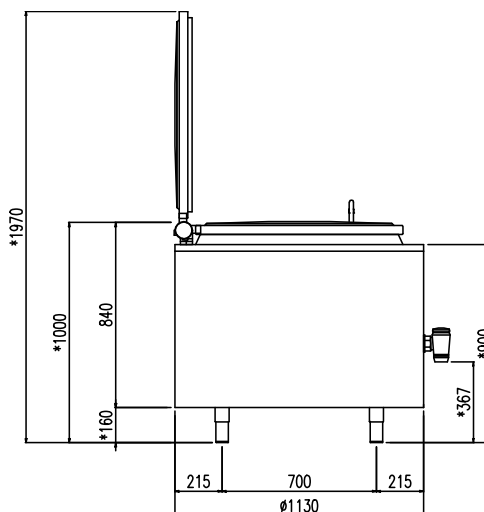
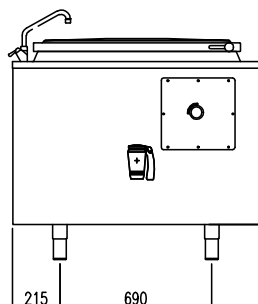
This type of modular industrial pans, whether cylindrical or rectangular, is characterised by a high quality of materials and construction processes; all to ensure maximum safety and reliability over time.

| | |
|------------------------------|----------------|
| Heating type | indirect steam |
| Capacity (L) | 325 |
| Surface (dmq) | - |
| Gas connection (Ø) | - |
| Electric connection (V/-/Hz) | - |

| | |
|---------------------|------|
| Width (mm) | 1130 |
| Depth (mm) | 1130 |
| Height (mm) | 900 |
| Gas power (Mj/hr) | - |
| Electric power (kW) | - |

boiling | braising | pasteurising | tilting | mixing | cooling | frying | underpressure | vacuum cooking | cutting | washing | drying

* REG. -55 ; + 5 mm



| | | | |
|----------|---|---|-------------|
| V | Allacciamneto Vapore Steam connection | Dampfanschluss Connexion vapeur | 1" |
| S | Scarico Condensa Condensate drain | Kondenswasserablauf Sortie du condenseur | 3/4" |
| A | Allacciamento Acqua Calda Hot water inlet | Warmwasseranschluss Raccordement eau chaude | 1/2" |
| B | Allacciamento Acqua Fredda Cold water inlet | Kaltwasseranschluss Raccordement eau froide | 1/2" |

boiling | braising | pasteurising | tilting | mixing | cooling | frying | underpressure | vacuum cooking | cutting | washing | drying