

## Stationary pressurised boiling pan direct gas heating



SOUPS  
PASTA  
RICE  
SAUCES  
BOILED FOODS  
BROTHS  
DAIRY BASED PRODUCTS  
COFFEE  
TEA  
BOILED VEGETABLES  
PASTEURISATION OF JARS

### FIXPAN: THE EFFICIENT PASTEURISER

The Fixpan pasteurizers are available in 48 different models (with gas, electrical or steam heating) and are the simplest and most immediate resource for cooking large quantities of food in water. With capacities from 100 to 550 litres, electronic control and autoclave pressure lid, these fixed industrial pans carry out with industrial precision and efficiency all the functions, including the possibility to perform the pasteurisation process on a product that is already packaged (e.g. jars).

### INDUSTRIAL PANS FOR PASTEURISATION OF JARS AND FOODS

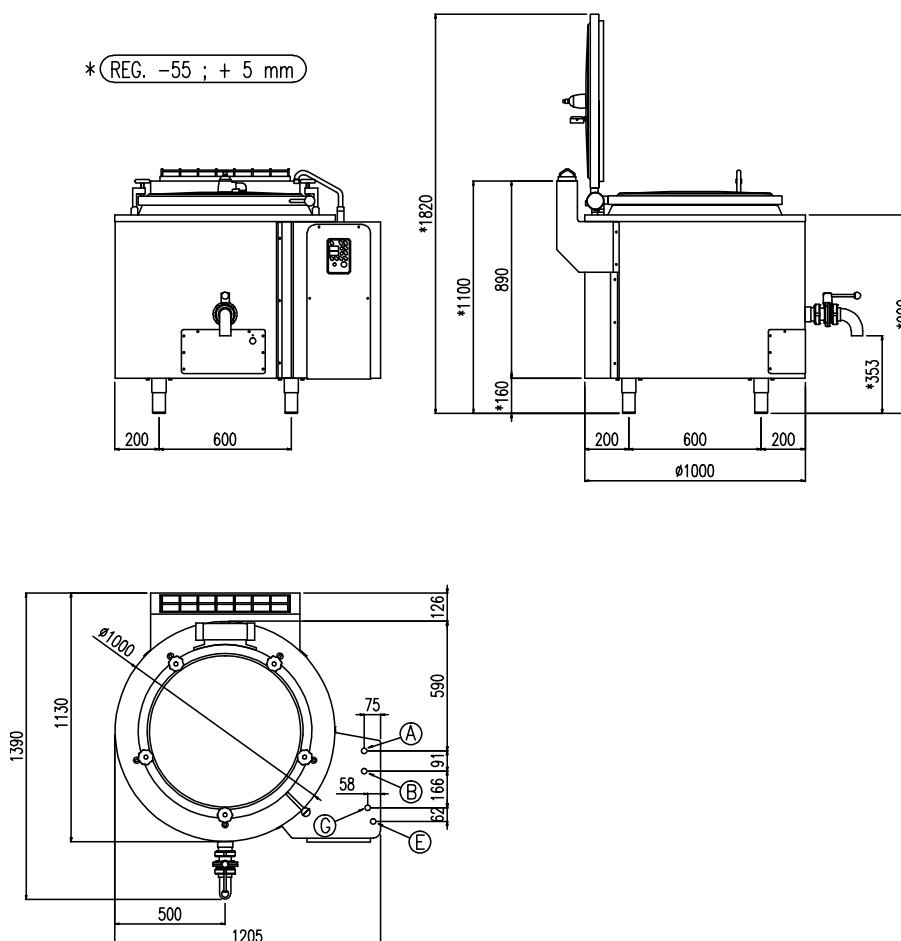
Ideal for cooking in water and pasteurising food and jars, thanks to the optional "Cook & Chill" system you can carry out the cooking and cooling of the product inside the tank. All the pasteurisers, in the different available models, can be equipped with a "sample probe" that allows you to check the temperature at the core of the product. Thanks to its cylindrical shape, finally, cleaning operations are fast and effective.

|                              |                    |
|------------------------------|--------------------|
| Heating type                 | direct gas         |
| Capacity (L)                 | 230                |
| Surface (dmq)                | -                  |
| Gas connection (Ø)           | 3/4"               |
| Electric connection (V/-/Hz) | 1N+PE AC 230V 50Hz |

|                     |       |
|---------------------|-------|
| Width (mm)          | 1205  |
| Depth (mm)          | 1130  |
| Height (mm)         | 900   |
| Gas power (Mj/hr)   | 124.2 |
| Electric power (kW) | 0.2   |

**boiling** | braising | **pasteurising** | tilting | mixing | cooling | frying | **underpressure** | vacuum cooking | cutting | washing | drying

\* REG. -55 ; + 5 mm



|          |  |   |                           |
|----------|--|---|---------------------------|
| <b>G</b> | <b>Attacco Gas (secondo ISO 7-1)</b><br>Gas Connection (ISO 7-1) | <b>Gasanschluss (ISO 7-1)</b><br>Raccordement Gaz (ISO 7-1) | <b>3/4"</b>               |
| <b>E</b> | <b>Potenza assorbita</b><br>Electric power                       | <b>Elektrische Leistung</b><br>Puissance Électrique         | <b>.20 (kW)</b>           |
| <b>E</b> | <b>Collegamento Elettrico</b><br>Electric connection             | <b>Elektrische Verbindung</b><br>Connexion Électrique       | <b>220-240V 1N ~ 50Hz</b> |
| <b>A</b> | <b>Allacciamento Acqua Calda</b><br>Hot water inlet              | <b>Warmwasseranschluss</b><br>Raccordement eau chaude       | <b>1/2"</b>               |
| <b>B</b> | <b>Allacciamento Acqua Fredda</b><br>Cold water inlet            | <b>Kaltwasseranschluss</b><br>Raccordement eau froide       | <b>1/2"</b>               |

**boiling** | braising | **pasteurising** | tilting | mixing | cooling | frying | **underpressure** | vacuum cooking | cutting | washing | drying