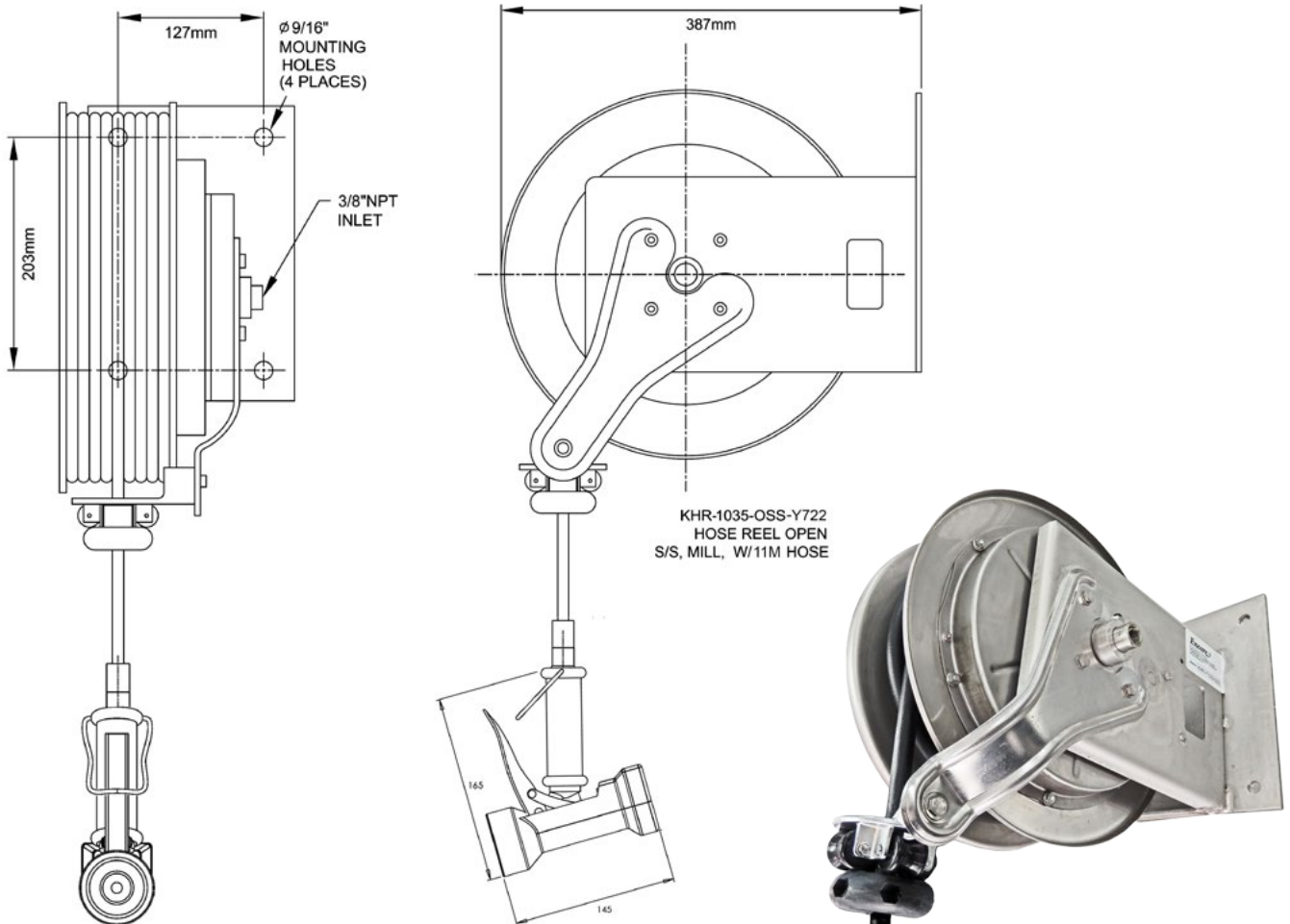


# KHR1035-OSS-Y722 HEAVY DUTY HOSE REEL STAINLESS STEEL

Heavy Duty Stainless Steel Open Hose Reel Assembly, including 11m Hose and Y722 Spray Gun, Wall or Ceiling mount. Hose rated up to 99°C and tested to 1800kPa. Heavy gauge springs & latches for positive length adjustment.



- Shipping Weight 15Kgs approx.
- Recommended Maximum Hose operating Temperature 65°C, (rated to maximum 99°C)
- Maximum Hose Rated Pressure 1800kPa.
- 3/8" - 18NPT inlet.
- Universal Ceiling, Floor or Wall mount
- Positive latch for stationary hose operation
- Heavy Duty springs for hose recoil
- Recoil bumper included
- Yellow Y722 Rinse with insulated handle and heavy duty face bumper
- Stainless Steel hose guard
- Full 13 Month on-site parts & labour warranty

NOTE: HOSE REELS ARE NOT WELLS RATED



**FSM** (FOOD SERVICE MACHINERY PTY. LTD.)  
**HEAD OFFICE:** UNIT E6, 63-85 TURNER STREET,  
 PORT MELBOURNE, VIC. 3207 AUSTRALIA  
 T: +61 3 8645 2555 F: +61 3 8645 2565  
 E: sales@fsm-pl.com.au W: www.fsm-pl.com.au

**SYDNEY OFFICE:**  
 UNIT 15, 7-9 PROGRESS CIRCUIT,  
 PRESTONS, NSW 2170 AUSTRALIA  
 T: +61 2 9608 8620 F: +61 2 9607 9370  
 E: sales@fsm-pl.com.au W: www.fsm-pl.com.au

**QUEENSLAND:**  
 T: 0400 099 992  
 E: sales@fsm-pl.com.au  
 W: www.fsm-pl.com.au