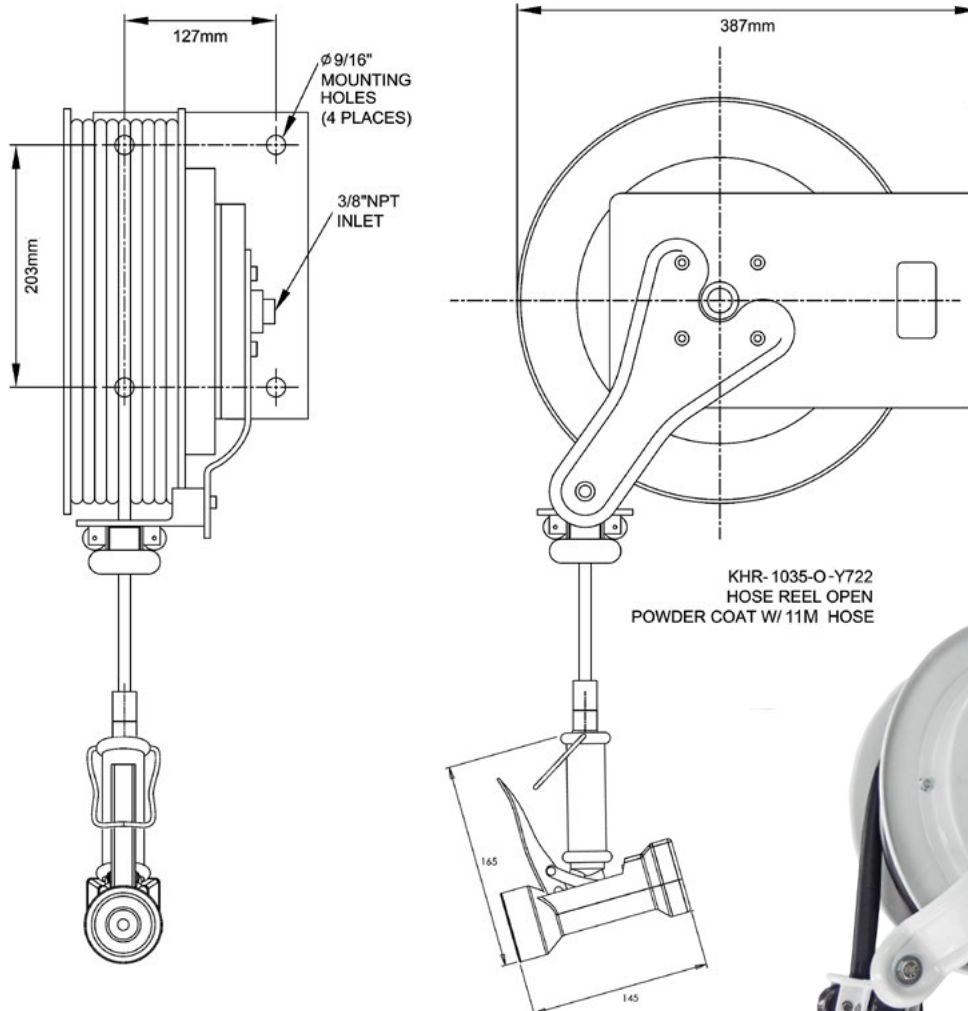


KHR1035-O-Y722 HEAVY DUTY HOSE REEL WHITE POWDER COATED

Heavy Duty Powder Coated Open Hose Reel Assembly, including 11m Hose and Y722 Spray Gun, Wall or Ceiling mount. Hose rated up to 99°C and tested to 1800kPa. Heavy gauge springs & latches for positive length adjustment.



KHR-1035-O-Y722
HOSE REEL OPEN
POWDER COAT W/ 11M HOSE



Shipping Weight 15 Kgs approx.
Recommended Maximum Hose operating Temperature 65°C,
(rated to maximum 99°C)
Maximum Hose Rated Pressure 1800kPa.
3/8" - 18NPT inlet.
Universal Ceiling, Floor or Wall mount
Positive latch for stationary hose operation
Heavy Duty springs for hose recoil
Recoil bumper included
Yellow Y722 Rinse with insulated handle and heavy duty face bumper
Stainless Steel hose guard
Full 13 Month on-site parts & labour warranty

NOTE: HOSE REELS ARE NOT WELLS RATED

FSM (FOOD SERVICE MACHINERY PTY. LTD.)
HEAD OFFICE: UNIT E6, 63-85 TURNER STREET,
PORT MELBOURNE, VIC. 3207 AUSTRALIA
T: +61 3 8645 2555 F: +61 3 8645 2565
E: sales@fsm-pl.com.au W: www.fsm-pl.com.au

SYDNEY OFFICE:
UNIT 15, 7-9 PROGRESS CIRCUIT,
PRESTONS, NSW 2170 AUSTRALIA
T: +61 2 9608 8620 F: +61 2 9607 9370
E: sales@fsm-pl.com.au W: www.fsm-pl.com.au

QUEENSLAND:
T: 0400 099 992
E: sales@fsm-pl.com.au
W: www.fsm-pl.com.au