

ITQ - The Intelligent Toaster



ITQ-1000-1C



People who serve, products that solve™

WATCH THE VIDEO



ITQ-1750-2C

Spot-ON
Technology

Hatco's new Intelligent Toast-Qwick ITQ Series Toasters set new standards in flexibility, ease of use and high productivity - with consistent results through programmable automation and energy efficiency.

Up to eighteen product settings can be stored for instant recall at the touch of a button, changing quickly from white to wholemeal bread toast, to bagels, croissants, crumpets, fruit loaf etc, even consistently melting cheese and finishing smaller food products.

This breakthrough technology can easily replace several toasting platforms in the one easy-to-use unit, with automated functions for absolute consistency.

Hatco's patented *ColourGuard* sensing system monitors and maintains product colour by adjusting cook time and temperature - for perfect results everytime.

Energy efficiency and time savings along with less wastage makes this unit the obvious choice for intensive kitchen production.

The conveyor(s) have four unique production modes:

- ▶ Continuous ▶ Single product toast/deliver ▶ In-and-out ▶ In-Pause/Cook- deliver continuously.
- ▶ *Spot-On* technology senses the product on the conveyor for automatic operation
- ▶ Eighteen product settings can be stored and retrieved using the control panel
- ▶ USB port for easy program changes and retrieving product usage data.



FSM (FOOD SERVICE MACHINERY PTY. LTD.)
HEAD OFFICE: UNIT E6, 63-85 TURNER STREET,
PORT MELBOURNE, VIC. 3207 AUSTRALIA
T: +61 3 8645 2555 F: +61 3 8645 2565
E: sales@fsm-pl.com.au W: www.fsm-pl.com.au

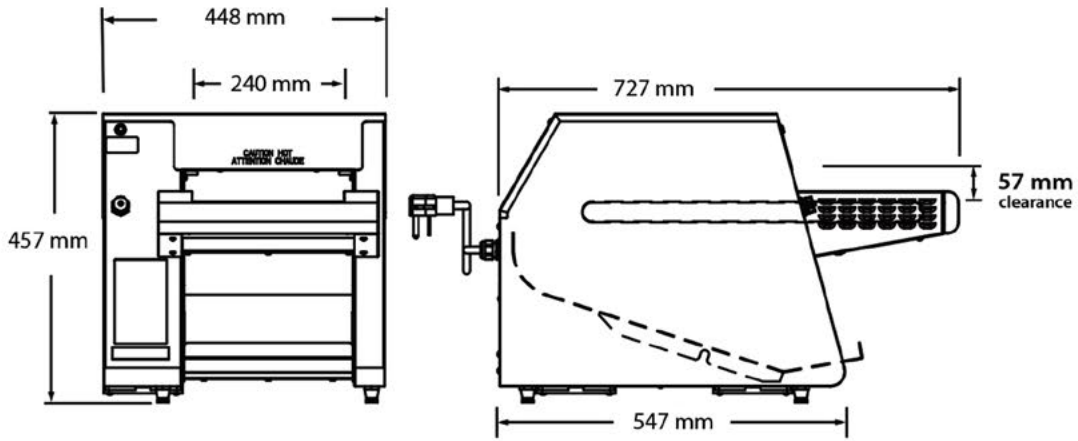
SYDNEY OFFICE:
UNIT 15, 7-9 PROGRESS CIRCUIT,
PRESTONS, NSW 2170 AUSTRALIA
T: +61 2 9608 8620 F: +61 2 9607 9370
E: sales@fsm-pl.com.au W: www.fsm-pl.com.au

QUEENSLAND:
T: 0400 099 992
E: sales@fsm-pl.com.au
W: www.fsm-pl.com.au

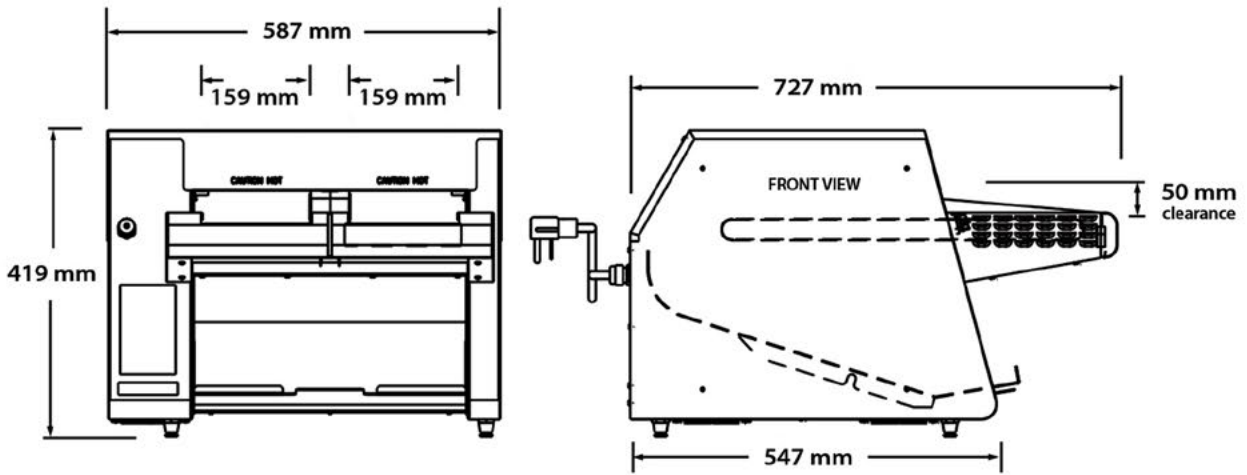


INTELLIGENT TOAST-QWIK® CONVEYOR TOASTERS

Models: ITQ-1000-1C, -1750-2C



Model ITQ-1000-1C



Model ITQ-1750-2C

SPECIFICATIONS

Model†	Volts	Watts	Amps	Shipping Weight
ITQ-1000-1C	240	4300	17.9	68 (31 kg)
ITQ-1750-2C	240	4960	21	81 (37 kg)

† Toasting capacity may vary by product. Toasting of coated products not recommended.

DIMENSIONS

ITQ-1000-1C: 448 W x 727 D x 457 H mm
 ITQ-1750-2C: 587 W x 727 D x 419 H mm

OPENING DIMENSIONS

ITQ-1000-1C: H 57 mm
 ITQ-1750-2C: H 50 mm

VOLTAGE

TQ-1000-1C: 240V 50Hz, Single Phase
 TQ-1750-2C: 240V 50Hz, Single Phase

CORD LOCATION

Left center on back of unit.

FSM (FOOD SERVICE MACHINERY PTY. LTD.)
 HEAD OFFICE: UNIT E6, 63-85 TURNER STREET,
 PORT MELBOURNE, VIC. 3207 AUSTRALIA
 T: +61 3 8645 2555 F: +61 3 8645 2565
 E: sales@fsm-pl.com.au W: www.fsm-pl.com.au

SYDNEY OFFICE:
 UNIT 15, 7-9 PROGRESS CIRCUIT,
 PRESTONS, NSW 2170 AUSTRALIA
 T: +61 2 9608 8620 F: +61 2 9607 9370
 E: sales@fsm-pl.com.au W: www.fsm-pl.com.au

QUEENSLAND:
 T: 0400 099 992
 E: sales@fsm-pl.com.au
 W: www.fsm-pl.com.au