



HFT132E

Refrigerated holding
trolley (negative)

CONSTRUCTION FEATURES

- Chamber with radiused corners and removable side racks to facilitate cleaning
- All-around rubber bumpers
- Highly efficient and thick insulation, casing injected with CFC-free polyurethane foam
- Ergonomic and fully built-in door handles with magnetic closure
- Cooling through air-cooled evaporator
- Ecological type compressor unit (R404A)
- Mounted on four 150mm diameter castors, two of which with brake
- Ergonomic handles for pushing and guiding
- Easy access to facilitate maintenance and repair

FUNCTIONAL FEATURES

- Electronic temperature control with defrosting programme
- Simplified, user-friendly controls
- Operating temperature -18°C / +5°C
- Condensate evaporation tray

STANDARD SUPPLY

- Removable GN2/1 and GN1/1 tray racks

OPTIONS & ACCESSORIES

- Stainless steel plate baskets

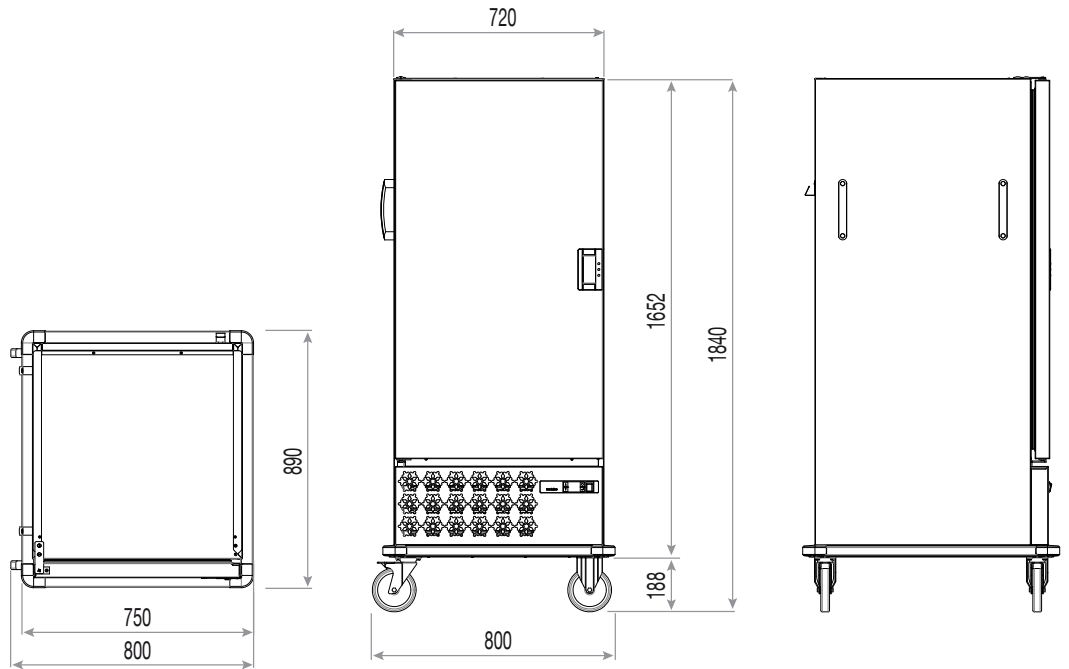
MODULINESRL

Via dell'Industria 11, Z.I. San Giacomo di Veglia 31029 Vittorio Veneto (TV) - ITALY
 tel. +39 0438 5063 - fax +39 0438 912 323 - info@moduline.it - www.moduline.it

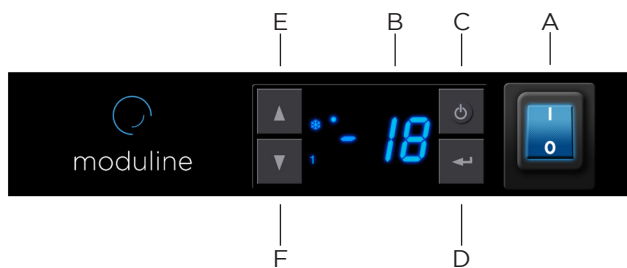


moduline

TECHNICAL INSTALLATION DIAGRAM



| | |
|---|----------------------------|
| Overall dimensions (W x D x H) - mm | 800 x 890 x 1840 |
| Trays capacity | 13 x GN 2/1 26 x GN 1/1 |
| Plates capacity plates ø 230-310 containers GN 1/2 | 48 |
| Power kW | 1,05 |
| Power supply | AC 230 V / 50 Hz |



- A ON/OFF switch
- B Display
- C Functions key
- D Enter key
- E Temperature increase key
- F Temperature decrease key

MODULINESRL

Via dell'Industria 11, Z.I. San Giacomo di Veglia 31029 Vittorio Veneto (TV) - ITALY
tel. +39 0438 5063 - fax +39 0438 912 323 - info@moduline.it - www.moduline.it